



ELECTRONIC GROUP, INC
 480-635-8400 p * aegis-g2@aegiselect.com
 http://www.aegis-elec.com



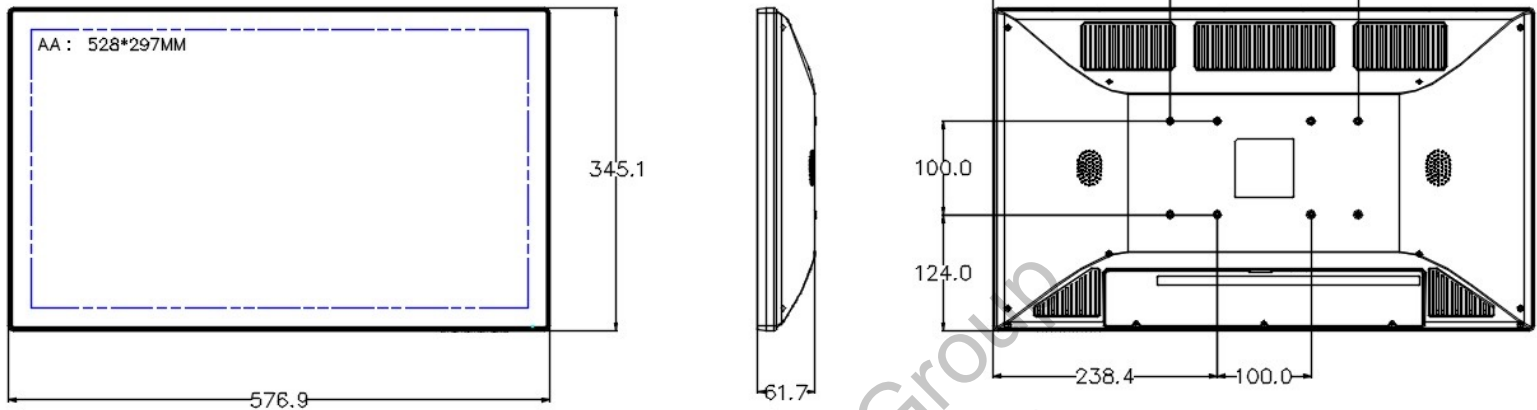
MMZBTP-23.8G-X

Medical-Grade Touch Screen LCD Display

- 23.8" HD Medical-Grade Touch Screen
- Projected Capacitive Touch Screen
- Zero-Bezel Design; All-Glass Front Simplifies Cleaning
- Meets UL 60601-1-1, 1-2
- HDMI, DVI and DisplayPort Video Inputs
- Built-In Speakers
- Auto Re-Start After Power Loss
- 3 Year Warranty

The TRU-Vu MMZBTP-23.8G-X are 23.8" Medical-Grade Projected Capacitive Touch Screen monitors. They conform to UL 60601-1-1, and 1-2. The projected capacitive touch technology enables multi-touch; it can be activated via dual fingers that are exposed, or in a surgical glove. The screen is unaffected by dirt, grease or moisture on the glass surface. The sleek edge-to-edge glass front face, without a raised edge bezel, is both stylish and functional: it is easy to clean and eliminates contamination build-up under a bezel, as with standard-type housings. The MMZBTP-23.8G-X monitors are ideal for hospital operating rooms, endoscopy, OEM medical systems, PACS and other medical applications. Compatible with all Windows and most Linux operating systems.

Specifications	
MODEL	MMZBTP-23.8G-X
LCD Panel	23.8" Color LCD; LED Backlights
Touch Screen Type	Projected Capacitive, 10 Touch Points
Touch Interface	USB
Resolution	1920 x 1080 (Full HD)
Viewable Area	20.75" x 11.67" (527.2 x 296.46 mm)
Pixel Pitch	0.2745mm
Display Colors	16.7 Million
Aspect Ratio	16:9
Brightness	400 nits
Contrast Ratio	1,000:1
Viewing Angle	178° (H) x 178° (V)
Response Time	14 msec Grey to Grey
Control	OSD (On-Screen Display) Buttons
Video Inputs	HDMI, DVI, DisplayPort
Audio	Dual Rear Speakers
Power Requirement	90-240 VAC with External Medical-Grade Power Supply and Green-Dot Power Cord
Power Consumption	38W
Plug & Play	DDC 1/2B
Enclosure	White ABS Rear: Zero-Bezel Front with Anti-Glare Glass
Mounting	100x100mm/ 200x100 Rear VESA Mount Holes
Operating Temp	32° to 122° F (0° to 50° C)
Humidity	5-90% RH
Shock/Vibration	50G (20 msec, 1/2 sine); 1.5G RMS 10-200HZ, 30 minutes each (X,Y,Z)
Certifications	UL: ANSI/AAMI ES60601-1 (2005/(R)2012 + A1:2012, C1:2009/(R)2012 + A2:2010/(R)2012) - Amendment 1 - Revision Date 2012/08/21; CAN/CSAC22.2 No. 60601-1:14 - Edition 3 - Revision Date 2014/03; CB: IEC 60601-1-6:2010/AMD1:2013, IEC 60601-1-6:2010, IEC 60601-1:2005/AMD1:2012, IEC 60601-1:2005; FCC Part 18, Subpart C; CE: EN60601-1-2:2015
Dimensions	22.71" (W) x 13.58"(H) x 2.43" (D) (576.9 x 345.1 x 61.7 mm)
Weight	13.2 lbs (5.98 kg)
Warranty	3 Years



Standard Accessories:

- External Medical Grade Power Supply with Hospital-Grade Green-Dot Power Cord
- DVI Cable
- Audio Cable
- USB Cable
- HDMI Cable

Available Options:

- Tabletop Base
- Private-Label
- Other Customer-Specific Modifications