

VZ-32HX

HYBRID PREMIUM FULL HD LED CCTV MONITOR

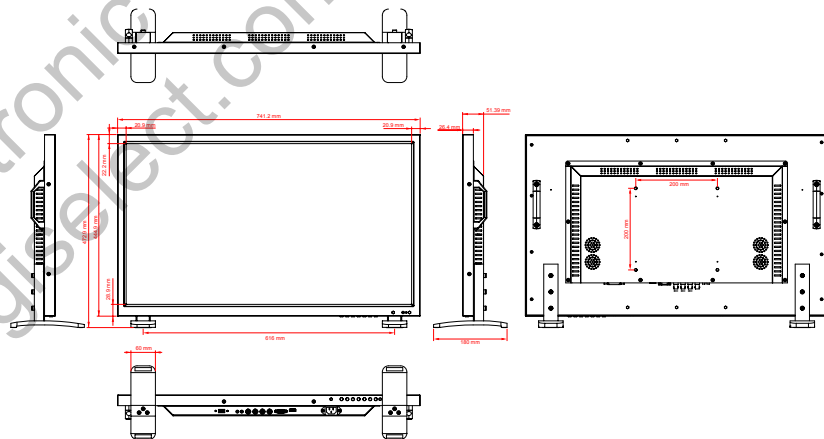


MODEL #		VZ-32HX
VIDEO		
Screen Size	32"	
Max. Resolution	1920 x 1080 @60Hz	
Pixel Pitch	0.36375 mm x 0.36375 mm	
Brightness	250cd/m ² (Typical)	
Contrast Ratio	4000:1	
Aspect Ratio	16 : 9	
Viewing Angle (H/V)	178° / 178° (CR > 10)	
Display Color	16.7 Million	
Response Time	< 6.5ms	
Video System	NTSC / PAL	
INTERFACE		
AV (AHD, TVI, CVI) In / Out	1 / 1	
AV (CVBS) In / Out	1 / 1	
USB In (Media Player)	1	
VGA In (15Pin D-Sub)	1	
HDMI In	1	
PC Audio In / AV Audio In	1 / 1	
AUDIO		
Built in speaker	5W X 2	
SPECIAL FEATURES		
Filter Type	3D Comb-filter / De-Interlace	
Image Retention	YES	
Hybrid Input - AHD, TVI, CVI	Support	
Multi-lingual Language	English, Spanish, French, Russian, Portuguese	
MEDIA PLAYER		
External Storage	Support SD CARD (Max.64GB), USB (2TB)	
VIDEO Format	RM, RMVB, AVI, DVIX, MKV, MOV, HDMOV, MP4, M4V, PMP, AVC, FLV, VOB, MPG, DAT, MPEG, TS, TP, M2TS, WMV, H.264, H.263, WMV9, VC-1, MPEG1/2/4	
AUDIO Format	MPEG1/2/4, MP3, WMA, OGG, AAC, FLAC, APE, AC-3, DTS, ATRA, WAV, PCM	
Image Format	JPEG, TIF, PNG, BMP	
VIDEO Resolution	1080P @60Hz	
DIMENSIONS & WEIGHT		
Outline Dimension (W x H x D) (Including Stand)	29.92" x 19.63" x 7.08"	
	760.0mm x 498.8mm x 180mm	
Net Weight / Gross Weight	27.62 lbs (12.53 kg) / 34.43 lbs (15.62 kg)	
MOUNT		
VESA	200mm x 200mm / 4 x (M6x L8) Screws	
GENERAL		
Power	Electrical Ratings	AC100 ~ 240V(50/60Hz)
	Consumption	≤ 48 W
Warranty	Parts/ Labor	3 Year / 3 Year
Operating Temperature 14 - 122°F / -10°C ~ 50°C		
Regulation CE, FCC (A), ROHS		
Compatible Mounts	Wall Ceiling	VZ-AM02, VZ-WM50 VZ-CMKIT-01, VZ-CMKIT-02

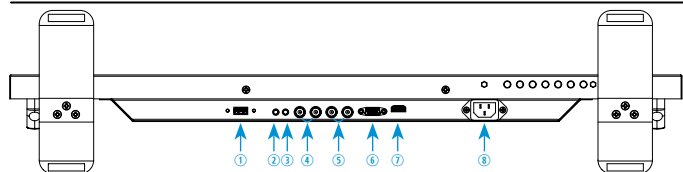
VZ-32HX ADVANTAGES

- 32" 1080p CCTV LED Monitor
- 3D Comb-filter, De-interlace
- 16:9 / 4:3 Ratio Available, HDMI, VGA, PC Audio, AV Audio
- 1 Hybrid AV (AHD2.0 / HD-TVI / HD-CVI) Input / Output (Loop-through)
- 1 AV (CVBS) Input / Output (Loop-through)
- Built-in Speakers, Auto Source & Power Recovery
- USB - Media Player
- 3-Year Warranty

DIMENSIONS



INTERFACE



1. USB IN
2. PC Audio IN
3. AV Audio IN
4. AV(AHD, TVI, CVI) IN / OUT
5. AV(CVBS) IN / OUT
6. VGA IN
7. HDMI IN
8. AC 110V IN

This information is brought to you by:

