

<b>SPEC. INFO</b>	<b>FL-CC1218-5MX</b>	K66484-S001-B13
		Oct. 12. 2018

1. Model FL-CC1218-5MX
2. Application For 2/3 Format Camera

3. Specification

3-1. Physical (As per the attached drawing)

- (1) Dimensions  $\phi$  33.0 mm  $\times$  47 mm
- (2) Weight 85 g
- (3) Mount C-Mount (1 – 32 UN – 2A)
- (4) Filter Screw Size M30.5 mm , P = 0.5 mm

3-2. Optical

- (1) Focal Length 12 mm  $\pm$  5%
- (2) Max. Aperture Ratio 1: 1.8
- (3) Iris Range F / 1.8 to F /16
- (4) Angle of View Diagonal 49.4°  
Horizontal 40.5°  
Vertical 30.9°
- (5) Picture format 8.8 mm  $\times$  6.6 mm
- (6) Focusing Range Inf. to 0.1 m
- (7) Back Focal Length 13.2 mm (in air)
- (8) Flange Back Length 17.526 mm  $\pm$  0.05 mm (in air)

3-3. Mechanical

- (1) Focusing Mechanism Rotation Angle 62°  
Rotation Torque 1.0N·cm to 9.0 N·cm  
Focus Ring can be fixed at any positions by  
3 fixing screws or 1 thumb screw (refer to external view)
- (2) Iris Mechanism Non-click  
Rotation Angle 83°  
Rotation Torque 0.01N·cm to 3.0 N·cm  
Iris Ring can be fixed at any positions by 3 fixing screws  
or 1 thumb screw (refer to external view)

3-4. Vibration & Shock Test Standard

(1) Vibration Conditions

Wave	Sine Wave
Acceleration	1.96 m/s <sup>2</sup> to 59.78 m/s <sup>2</sup>
Cycle Range	10 Hz to 55 Hz
Cycle Period	3 Minutes
Duration of Vibration	120 Minutes Respectively in Three Dimensional Directions

(2) Shock Conditions

Tester	Shock Testing Machine by Dropping
Impact Force	588 m/s <sup>2</sup>
Duration of Shock	3.5 ms
Directions & Number of Times	1 Time Respectively in Three Dimensional Directions

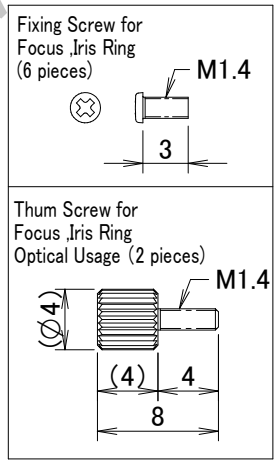
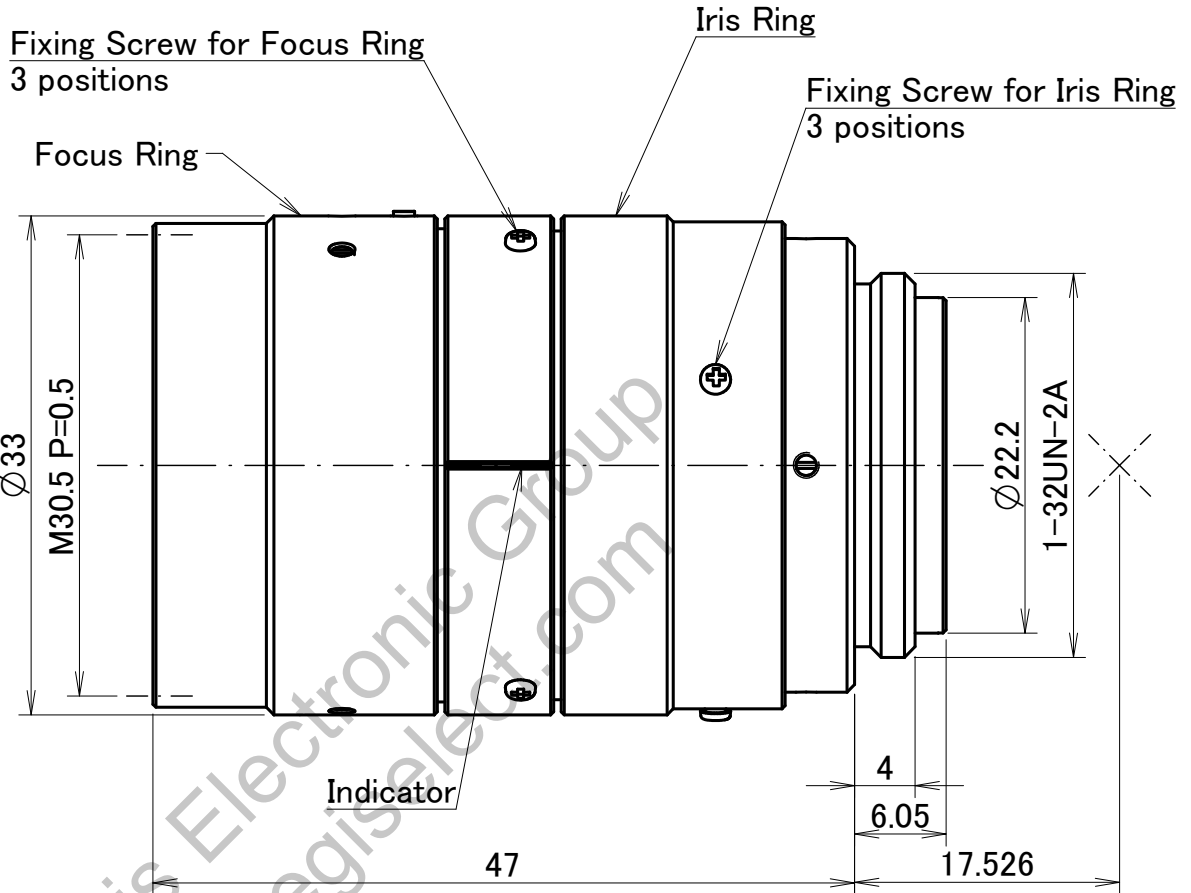
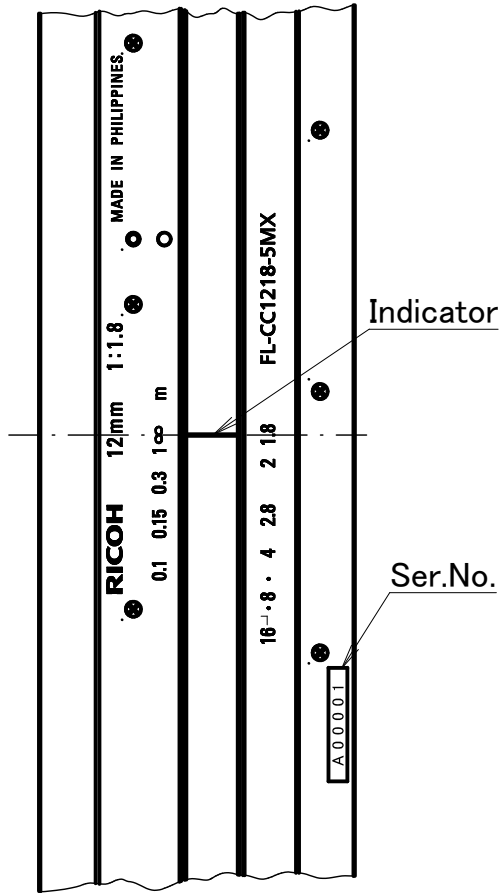
<b>SPEC. INFO</b>	<b>FL-CC1218-5MX</b>	K66484-S001-B23
		Oct. 12. 2018

3-5. Environmental Temperature Range       $-10^{\circ}\text{C}$  to  $+50^{\circ}\text{C}$

4. Accessories

- |                                       |          |                      |
|---------------------------------------|----------|----------------------|
| (1) Front Lens Cap                    | 1 piece  |                      |
| (2) Rear Lens Cap                     | 1 piece  |                      |
| (3) Fixing Screw for Focus ,Iris Ring | 6 pieces |                      |
| (4) Thumbscrew for Focus ,Iris Ring   | 2 pieces | (for Optional Usage) |
| (5) Packing Box                       | 1 pieces |                      |

Aegis Electronic Group  
[www.aegiselect.com](http://www.aegiselect.com)



SPEC.INFO	FL-CC1218-5MX
	K66484-S001-A33
Oct.12.2018	