

SENTECH

OMRON

Small Cubic Type

1/3" 1.3M CCD

Color / Monochrome PoCL CameraLink Camera

STC-MC133PCL (1/3" 1.3M CCD Color)

STC-MB133PCL (1/3" 1.3M CCD Monochrome)

Product Specifications

Aegis Electronic Group, Inc.

Aegis (888)687-6877
ELECTRONIC GROUP, INC
aegis-g2@aegiselect.com

OMRON SENTECH CO., LTD.

STC-MC133PCL / STC-MB133PCL

Specifications

For more information please contact Aegis Electronic Group, Inc. *(888)687-6877 *aegis-g2@aegiselect.com *http://www.aegiselect.com

Revisions

Rev	Date	Changes	Note
00	2015/12/18	New Document	
01	2016/01/08	Added Protocol Specifications Revised: No IR Cut Filter on Color Model	
02	2016/04/07	Revised: Added Smear half reduction on 11H.D4	
03	2017/07/03	Revised Change the name of company	

Aegis Electronic Group, Inc.

Aegis (888)687-6877
 ELECTRONIC GROUP, INC
 aegis-g2@aegiselect.com

Table of Contents

1	Overview	1
1.1	The existing Progressive cameras are discontinued due to the CDS and DAC ICs discontinuation.....	1
1.2	Camera lineup.....	1
1.3	Changes from the existing products	1
2	Specifications	2
2.1	STC-MC133PCL / STC-MB133PCL	2
2.1.1	Electronic specifications	2
2.1.2	Spectral Sensitivity Characteristics	3
2.1.3	Mechanical Specifications.....	4
2.1.4	Environmental Specifications	4
3	Common Specification.....	5
3.1	Camera Link Connector.....	5
3.2	Power-I/O Connector.....	6
4	Dimensions.....	7
4.1	STC-MB133PCL	7
4.2	STC-MC133PCL	8
5	Camera output timing Charts	9
5.1	Normal mode (Setting: address: 10H: 1XX0XXXX).....	9
5.1.1	Horizontal timing.....	9
5.1.2	Bayer Pattern (Only STC-MC133PCL).....	9
5.1.3	Vertical timings	10
5.1.3.1	Normal and full scanning (Setting: address: 10H: 1XX00XXX, 11H: X000X000).....	10
5.1.3.2	Partial full scanning (Setting: address:10H: 1XX01XXX, 11H: X000X000)	10
5.1.3.4	1/2 partial scanning (Setting: address:10H: 1XX01XXX, 11H: X000X001)	11
5.1.3.5	1/4 partial full scanning (Setting: address:10H: 1XX01XXX, 11H: X000X010).....	11
5.1.3.4	Variable partial full scanning (Setting: address: 1XX01XXX, 11H: X000X111).....	12
5.2	Binning mode (Setting: address: 1XX1XXXX).....	13
5.2.1	Horizontal timing.....	13
5.2.2	Vertical timing	14
5.2.2.1	Binning full scanning (Setting: address:10H: 1XX10XXX, 11H: X000X000)	14
5.2.2.2	Binning partial full scanning (Setting: address:10H: 1XX11XXX, 11H: X000X000).....	14
5.2.2.3	Binning 1/2 partial scanning (Setting: addr	
5.2.2.4	Binning 1/4 partial scanning (Setting: addr	
5.3	Camera Link bit assignment.....	
5.4	Data Transfer Image	
6	Camera function mode	
6.1	Normal mode	
6.1.1	Normal mode (Frame exposure)	
6.1.2	Normal mode (Electronic shutter).....	
6.2	Pulse width trigger mode.....	
6.2.1	Pulse width trigger mode (V-Reset)	
6.2.2	Pulse width trigger mode (Non-Reset)	
6.2.3	Pulse width trigger mode (Exposure timer)	


(888)687-6877
 ELECTRONIC GROUP, INC
aegis-g2@aegiselect.com

6.3	Edge preset trigger mode	21
6.3.1	Edge preset trigger mode (V-Reset)	21
6.3.2	Edge preset trigger mode (Non-Reset).....	22
6.3.3	Edge preset trigger mode (Exposure timing).....	22
6.4	H reset mode.....	23
7	The communication protocol specifications	24
7.1	The communication method.....	24
7.2	The communication settings.....	24
7.3	The communication format	25
7.4	The camera control commands	26
7.4.1	The camera commands list.....	26
7.4.2	Description of the camera control commands (The under line settings are the factory default settings).....	28

Aegis Electronic Group, Inc.

Aegis (888)687-6877
 ELECTRONIC GROUP, INC
 aegis-g2@aegiselect.com

1 Overview

1.1 The existing Progressive cameras are discontinued due to the CDS and DAC ICs discontinuation.

However we'll provide the succession cameras for these cameras.

Please check the specifications differences between the existing cameras and the succession cameras before use the succession cameras.

1.2 Camera lineup

Existing product	Succession product (Same dimensions and the mounting position)
STC-POCL33A	STC-MB33PCL
STC-POCLC33A	STC-MC33PCL
STC-POCL83A	STC-MB133PCL
STC-POCLC83A	STC-MC133PCL
-	STC-MB133 PCL(New)
	STC-MC133 PCL(New)
STC-POCL152A	STC-MB133PCL
STC-POCLC152A	STC-MC152 PCL
STC-POCL202A	STC-MB133PCL
STC-POCLC202A	STC-MC133PCL
-	STC-MB32PCL (New)
-	STC-MC32PCL (New)

1.3 Changes from the existing products

Below functions have been added.

- A. Pixel defect correction (up to 64 pixels)
- B. AGC and auto shutter function (Default: Manual gain, manual shutter)
- C. Field update function
- D. WB,AWB
- E. RGB Output(Color camera only)
- F. 12bits output
- G. Gamma Collection

Below specifications do not change.

- A. Software (CLCtrl2 ver 1.15 or later)
- B. IO signals
- C. Mechanical dimensions including the mounting position
- D. Tripod

 (888)687-6877

ELECTRONIC GROUP, INC
aegis-g2@aegiselect.com

2 Specifications

2.1 STC-MC133PCL / STC-MB133PCL

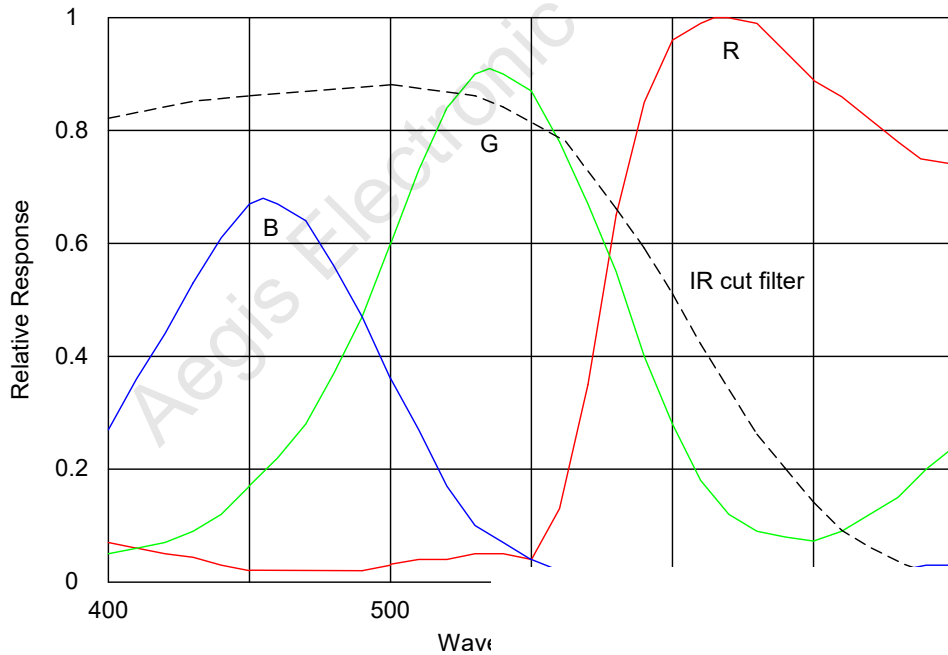
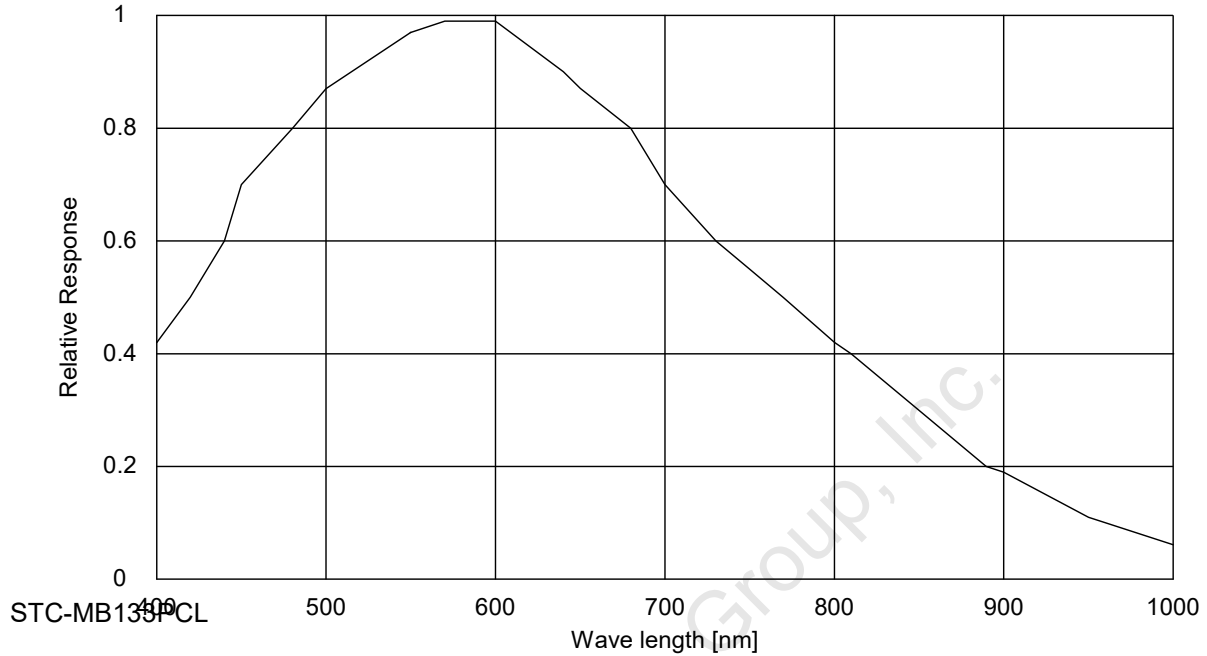
2.1.1 Electronic specifications

Model Number	STC-MC133PCL	STC-MB133PCL
Image Sensor	1/3" 1.3M Progressive Color CCD (Sony: ICX445AQA)	1/3" 1.3M Progressive Monochrome CCD (Sony: ICX445ALA)
Active Picture Elements	1348 (H) x 976 (V)	
Image Sensor	1280 (H) x 960 (V)	
Chip Size	6.26 (H) x 5.01 (V) mm	
Cell Size	3.75 (H) x 3.75 (V) μ m	
Scanning System	Progressive	
Scanning Method	Full scanning, Partial full scanning, 1/2 partial scanning, 1/4 partial scanning, Variable partial scanning	Full scanning, Partial full scanning, 1/2 partial scanning, 1/4 partial scanning, Variable partial scanning, Binning 1/2 partial scanning, Binning 1/4 partial scanning, Variable Binning partial scanning
Vertical Frequency (Frame rate)	22.4 Hz	
Horizontal Frequency	22.18 kHz	
Pixel Frequency	36.818 MHz	
S/N Ratio	Less than 10 Digit (gain 0 dB)	
Minimum Scene Illumination	Less than 0.1 Lux at F1.2	Less than 0.1 Lux at F1.2
Video Output	8 / 10 / 12 bit Raw, RGB Data (Base Configuration)	
TAP	1 TAP	
Shutter Speed	OFF, 1/5.5 to 1/120,000 seconds (Variable at every horizontal and clock)	
ALC	Support (AE, AGC), (Default: AE: OFF, AGC: OFF)	
Gain	0 to 27 dB (Default: 0 dB)	
Gamma	1 / 0.45 (Default: 1)	
White Balance	Manual / Auto	NA
Pixel Defect Correction	Up to 64 pixels (Default: ON)	
Power	Input Voltage	DC12V +/- 10%
	Consumption	Less than 3.0 W
Operational Mode	Free run / Edge preset trigger (V reset / Non-reset) / Pulse width trigger (V reset / Non-reset)	
Communication	RS232 through 12pin connector	
Field Update Function	Support	

Aegis (888)687-6877
ELECTRONIC GROUP, INC
aegis-g2@aegiselect.com

2.1.2 Spectral Sensitivity Characteristics

STC-MB133PCL



Aegis (888)687-6877
 ELECTRONIC GROUP, INC
 aegis-g2@aegiselect.com

2.1.3 Mechanical Specifications

Model Number	STC-MC133PCL	STC-MB133PCL
Dimensions	28 (W) x 28 (H) x 40 (D) mm *excluding the connectors	
Lens Mount	C Mount	
Optical Filter	No IR Cut Filter	
Optical Center Accuracy	Positional accuracy in Horizontal and Vertical directions: +/- 0.31 mm Rotational accuracy of Horizontal and Vertical: +/- 2.1 deg.	
Material	Case	Aluminum alloys
	Tripod	Polycarbonate ABS
Interface connector	HR10A-7R-6PB (Hirose) or equivalent	
Tripod	Tripod can be attached to plates (4 screws on the bottom plate, 3 screws on the another plate)	
Weight	Approximately 40 g	

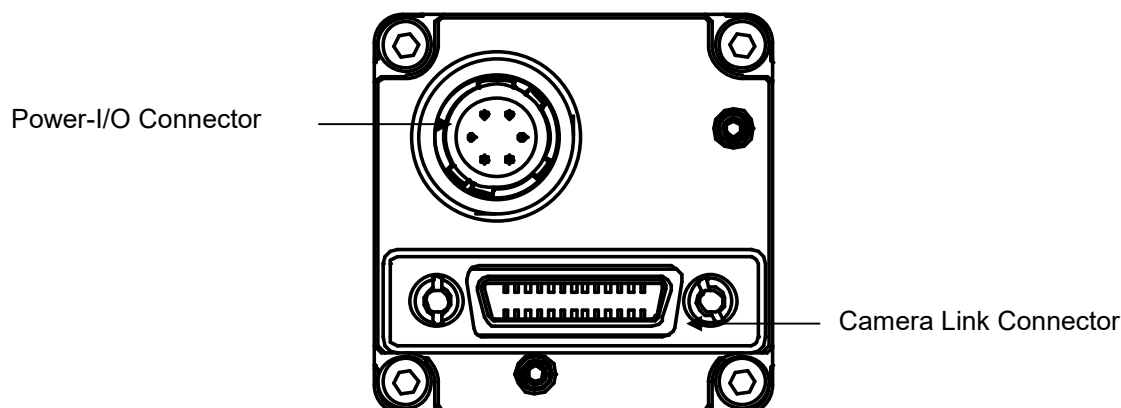
2.1.4 Environmental Specifications

Model Number	STC-MC133PCL	STC-MB133PCL
Operational Temperature	Environmental Temperature: 0 to +50 deg. C, Environmental Humidity: 0 to 85%	
Storage Temperature	Environmental Temperature: -25 to +65 deg. C, Environmental Humidity: 0 to 90%	
Vibration	20Hz to 200Hz to 20Hz (5min./cycle), acceleration 10G, XYZ 3 directions 30 min. each	
Shock	Acceleration 70G, half amplitude 6ms, XYZ 3 directions 3 times each	
Standard Compliancy	EMS: EN61000-6-2, EMI: EN55011 (Class A)	
RoHS	RoHS Compliant	

Aegis Electronic Group

Aegis (888)687-6877
ELECTRONIC GROUP, INC
aegis-g2@aegiselect.com

3 Common Specification



3.1 Camera Link Connector

SDR (3M) or equivalent

This product is a PoCL type.

When a frame grabber board and cable are applicable for the PoCL, the frame grabber board supplies the power to the camera. In this case, please DO NOT supply the power from the Power / IO connector.

When a frame grabber board and the cable are NOT applicable for the PoCL, please input the power from the Power / IO connector.

Pin Assignment

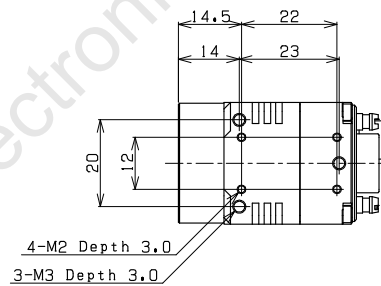
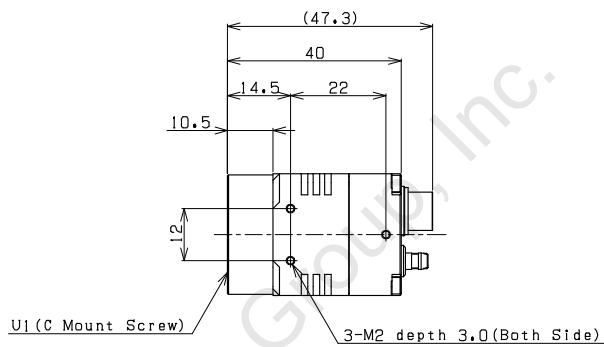
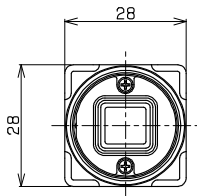
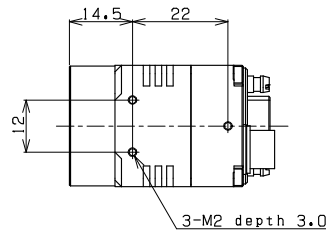
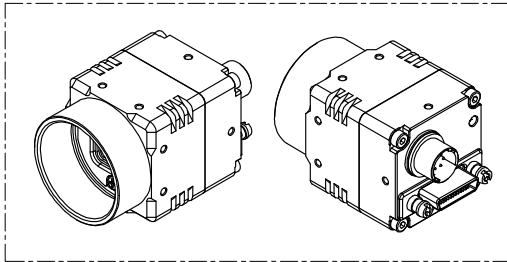
Pin No.	Signal Name	Pin No.	Signal Name
1	+12V	14	GND
2	X0-	15	X0+
3	X1-	16	X1+
4	X2-	17	X2+
5	Xclk-	18	Xclk+
6	X3-	19	X3+
7	SerTC+	20	SerTC-
8	SerTFG-	21	SerTFG+
9	CC1-(TRG)	22	CC1+(TRG)
10	CC2+	23	CC2-
11	CC3-	24	CC3+
12	CC4+	25	CC4-
13	GND	26	+12V

Aegis (888)687-6877

ELECTRONIC GROUP, INC
aegis-g2@aegiselect.com

4 Dimensions

4.1 STC-MB133PCL

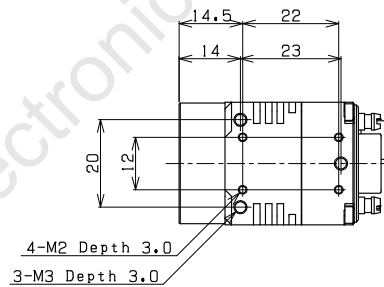
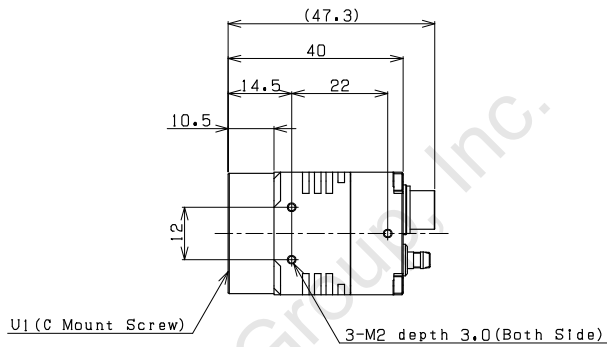
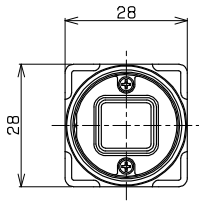
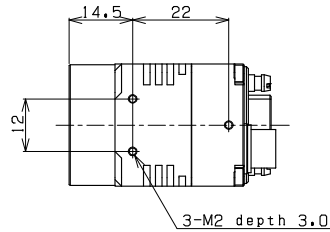
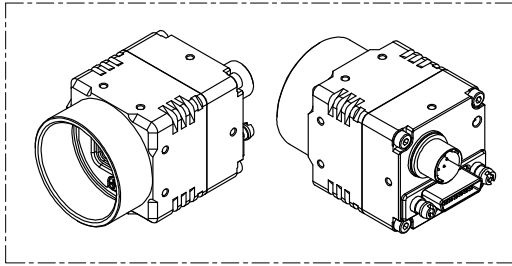


Unit: mm

Aegis Electronic Group, Inc.

Aegis (888)687-6877
ELECTRONIC GROUP, INC
aegis-g2@aegiselect.com

4.2 STC-MC133PCL



Unit: mm

Aegis Electronic Group, Inc.

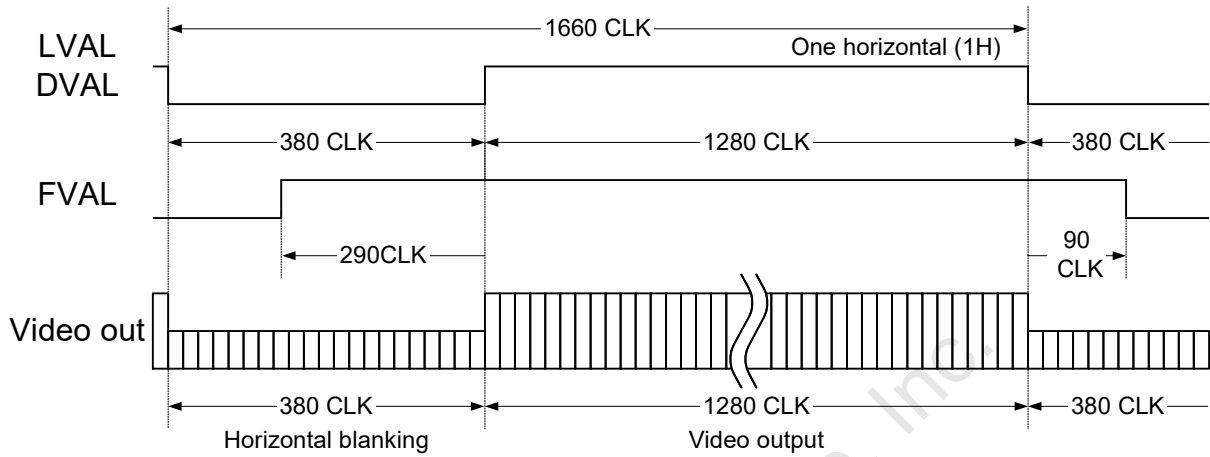
Aegis (888)687-6877
ELECTRONIC GROUP, INC
aegis-g2@aegiselect.com

5 Camera output timing Charts

5.1 Normal mode (Setting: address: 10H: 1XX0XXXX)

5.1.1 Horizontal timing

1 CLK = 27.160 nseconds



5.1.2 Bayer Pattern (Only STC-MC133PCL)

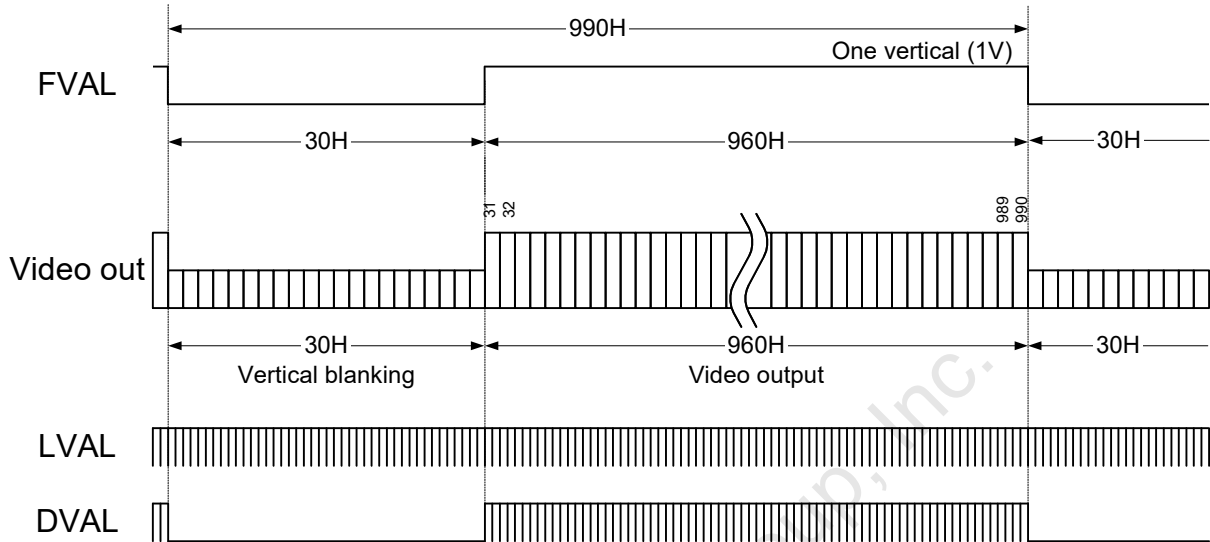
Aegis Electronic Group, Inc.

Aegis (888)687-6877
ELECTRONIC GROUP, INC
aegis-g2@aegiselect.com

5.1.3 Vertical timings

5.1.3.1 Normal and full scanning (Setting: address: 10H: 1XX00XXX, 11H: X000X000)

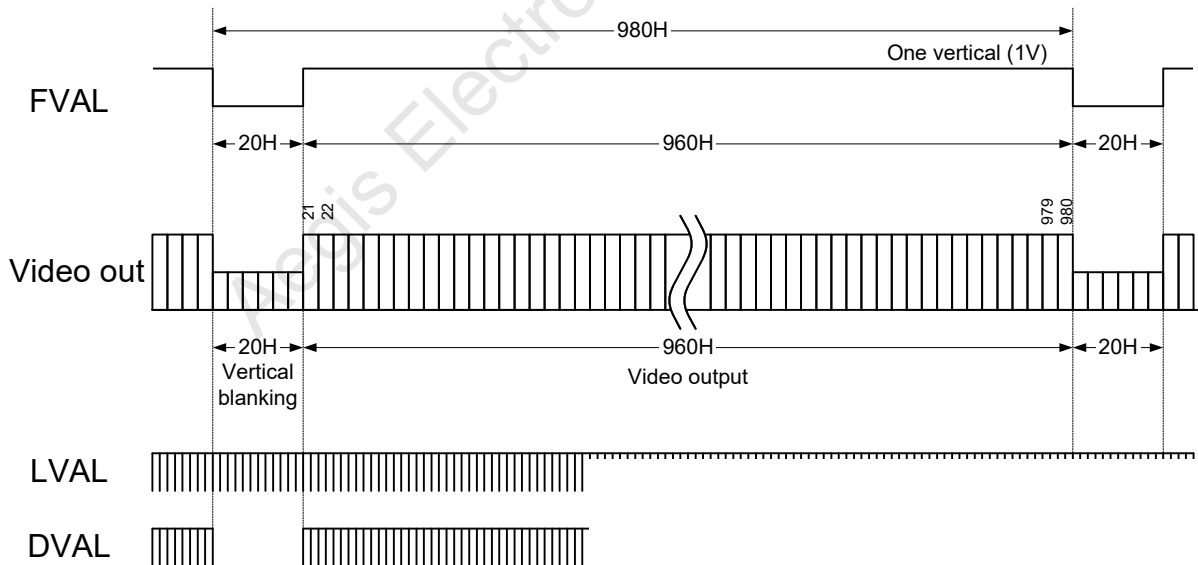
1 H = 45.086 μseconds, 22.4 Hz



5.1.3.2 Partial full scanning (Setting: address: 10H: 1XX01XXX, 11H: X000X000)

*This mode works faster than Normal mode for high speed driving on video blanking

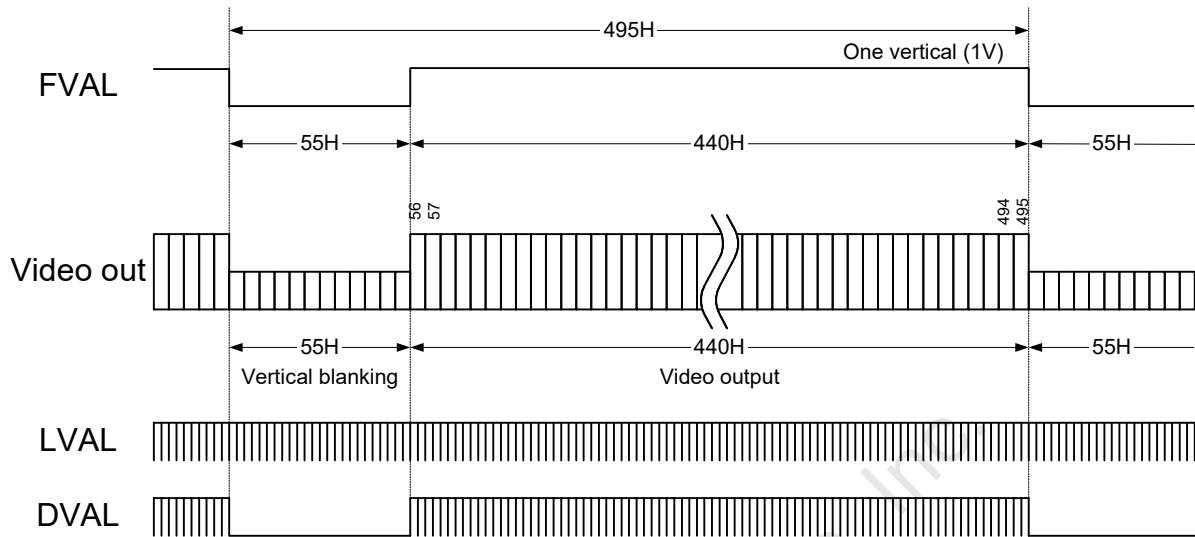
1 H = 45.086 μseconds, 22.63 Hz



Aegis (888)687-6877
 ELECTRONIC GROUP, INC
 aegis-g2@aegiselect.com

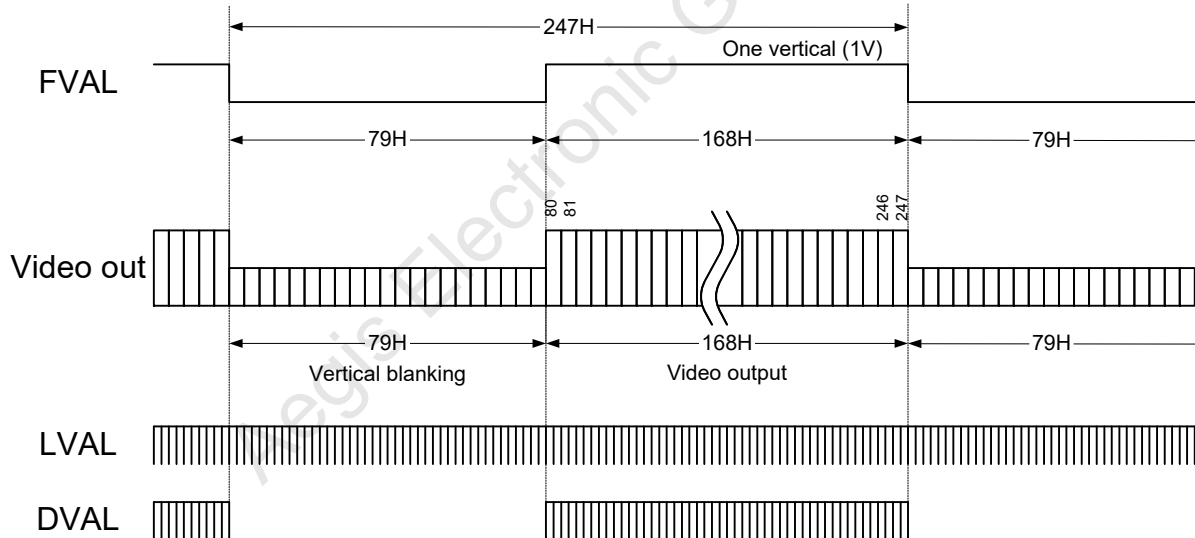
5.1.3.4 1/2 partial scanning (Setting: address:10H: 1XX01XXX, 11H: X000X001)

1 H = 45.086 μseconds, 44.81 Hz



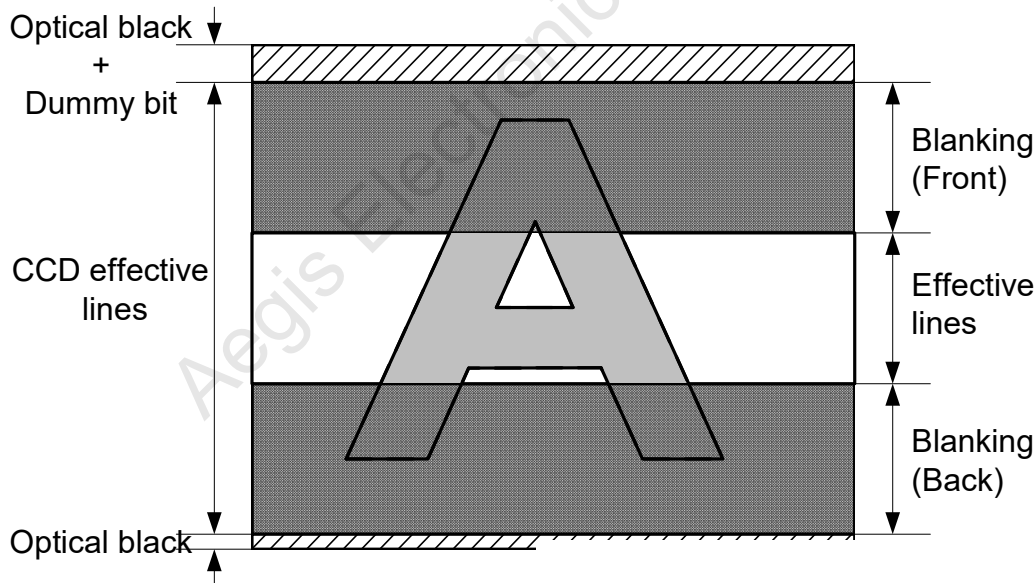
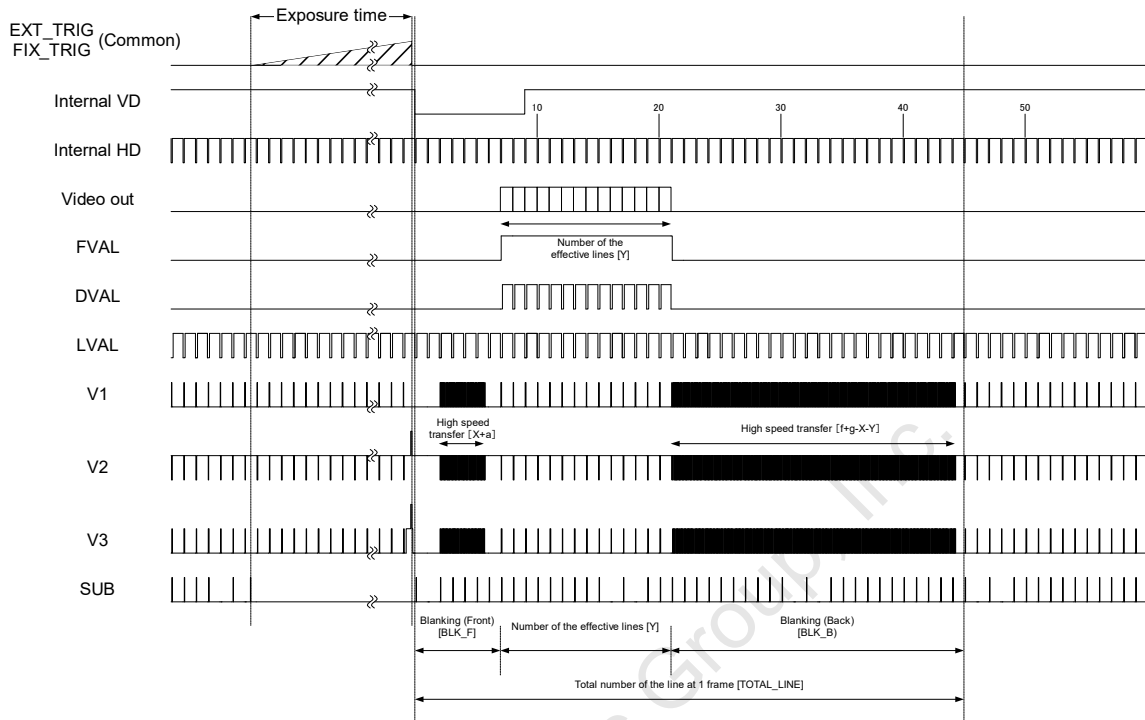
5.1.3.5 1/4 partial full scanning (Setting: address:10H: 1XX01XXX, 11H: X000X010)

1 H = 45.086 μseconds, 89.8 Hz



Aegis (888)687-6877
 ELECTRONIC GROUP, INC
 aegis-g2@aegiselect.com

5.1.3.4 Variable partial full scanning (Setting: address: 1XX01XXX, 11H: X000X111)

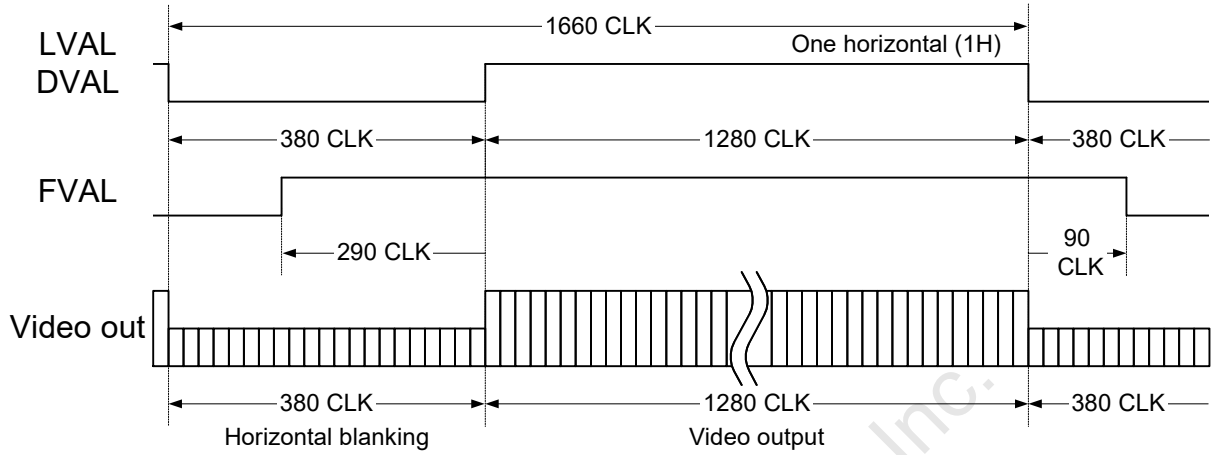



(888)687-6877
ELECTRONIC GROUP, INC
aegis-g2@aegiselect.com

5.2 Binning mode (Setting: address: 1XX1XXXX)

5.2.1 Horizontal timing

1 CLK = 27.160 nseconds



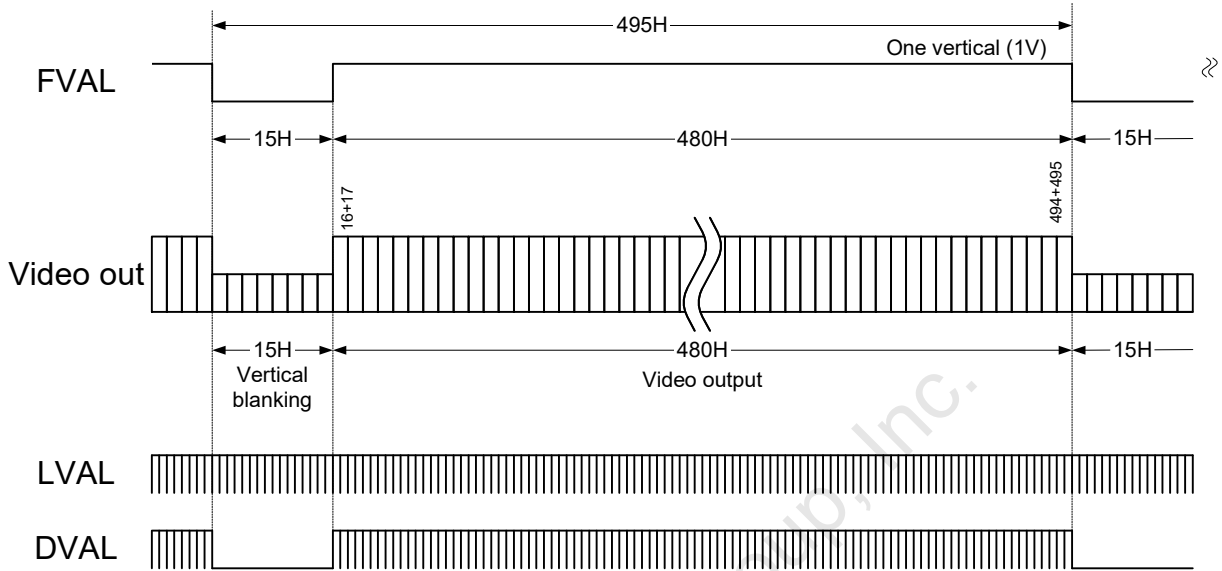
Aegis Electronic Group, Inc.

Aegis (888)687-6877
 ELECTRONIC GROUP, INC
 aegis-g2@aegiselect.com

5.2.2 Vertical timing

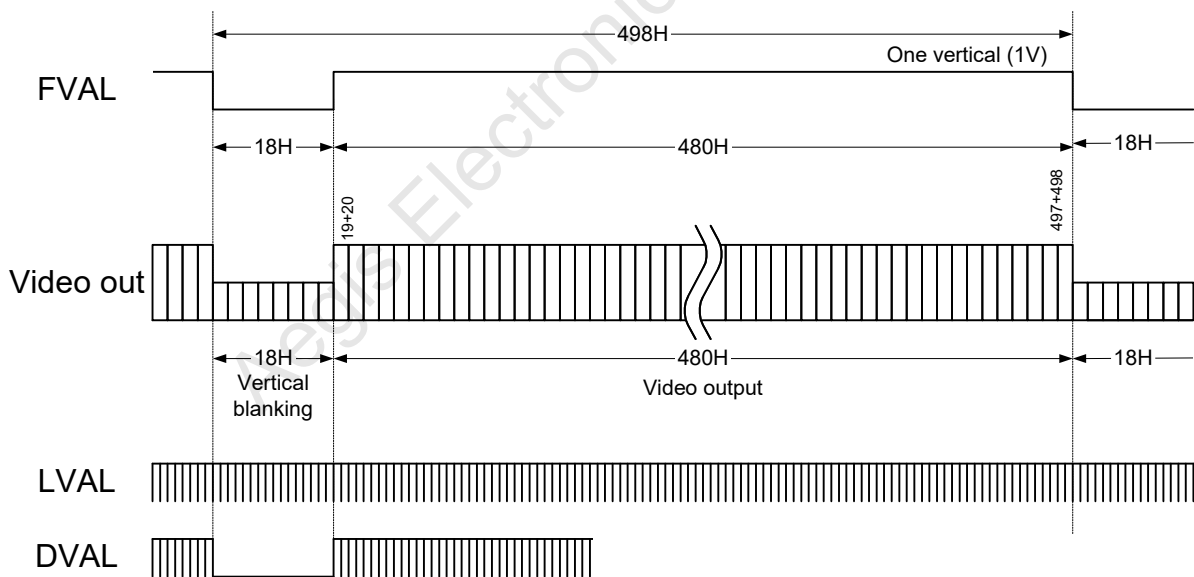
5.2.2.1 Binning full scanning (Setting: address:10H: 1XX10XXX, 11H: X000X000)

1 H = 45.086 μ seconds, 44.807 Hz



5.2.2.2 Binning partial full scanning (Setting: address:10H: 1XX11XXX, 11H: X000X000)

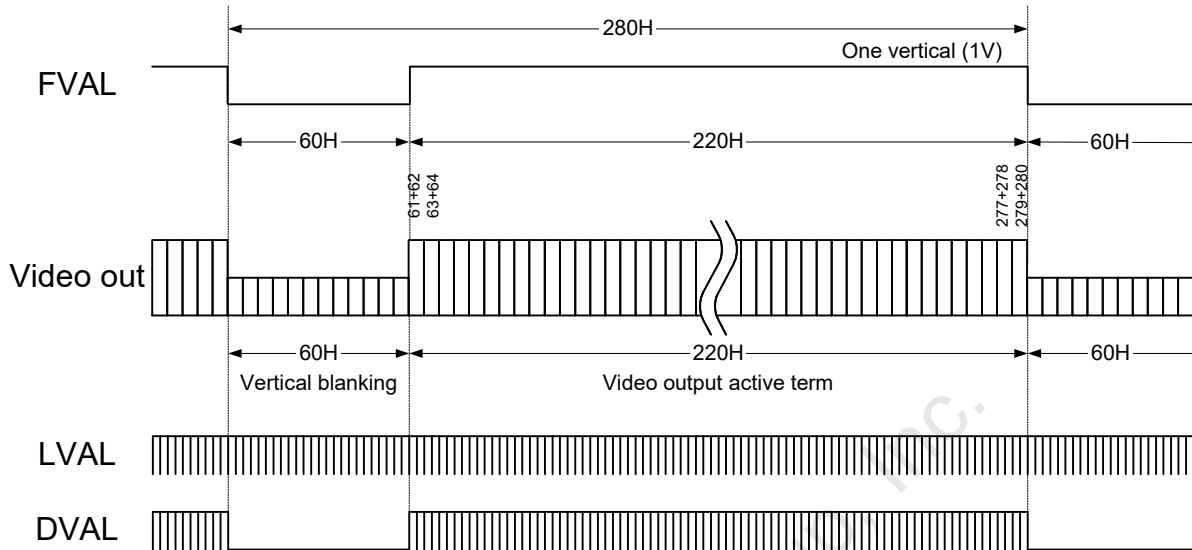
1 H = 45.086 μ seconds, 44.537 Hz



Aegis (888)687-6877
 ELECTRONIC GROUP, INC
 aegis-g2@aegiselect.com

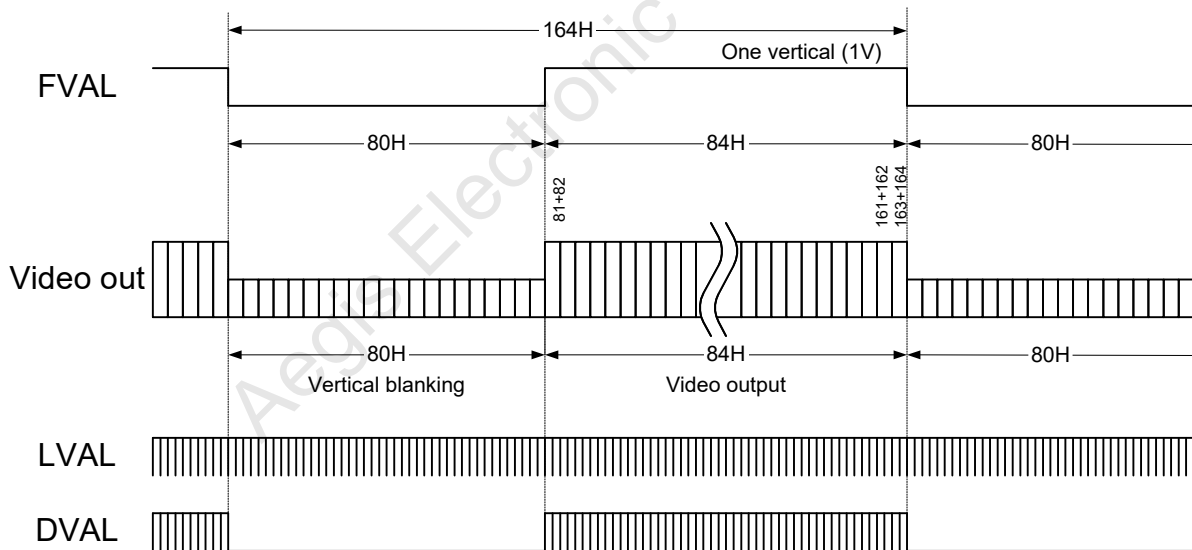
5.2.2.3 Binning 1/2 partial scanning (Setting: address:10H: 1XX11XXX, 11H: X000X001)

1 H = 45.086 μseconds, 79.213 Hz



5.2.2.4 Binning 1/4 partial scanning (Setting: address:10H: 1XX11XXX, 11H: X000X010)

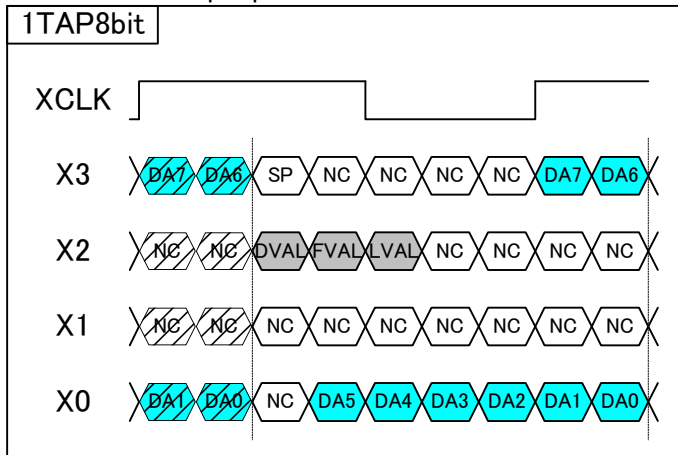
1 H = 45.086 μseconds, 135.242 Hz



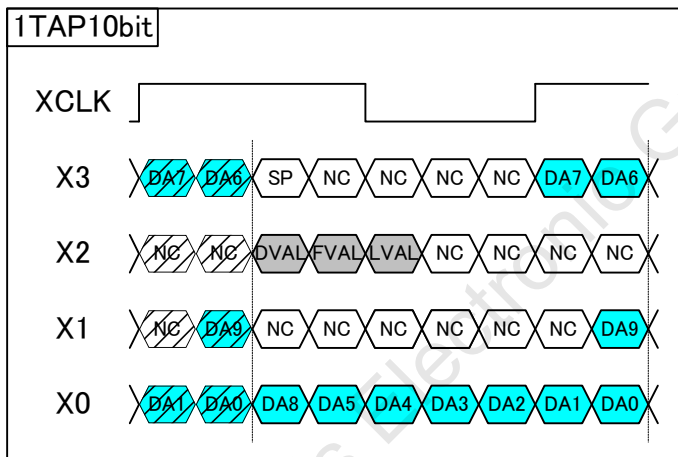
Aegis (888)687-6877
 ELECTRONIC GROUP, INC
 aegis-g2@aegiselect.com

5.3 Camera Link bit assignment

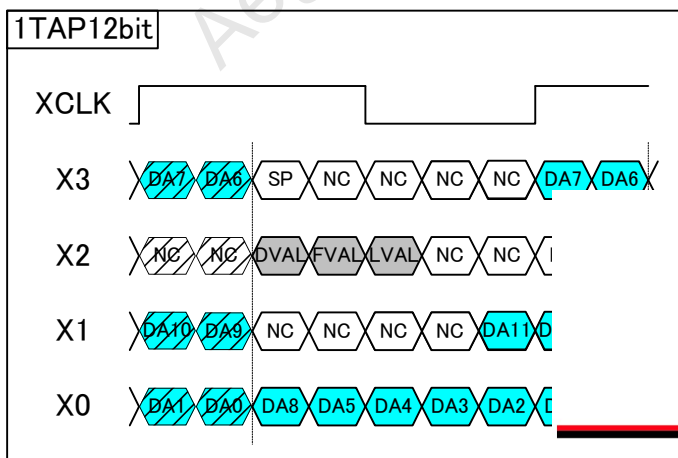
Camera Link data output pattern



DA0 to DA7: 8bit data for one pixel

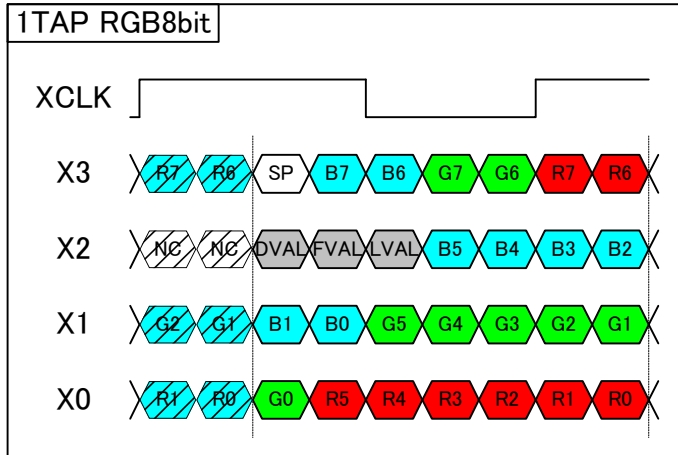


DA0 to DA9: 10bit data for one pixel



DA0 to DA11: 8bit data for one pixel

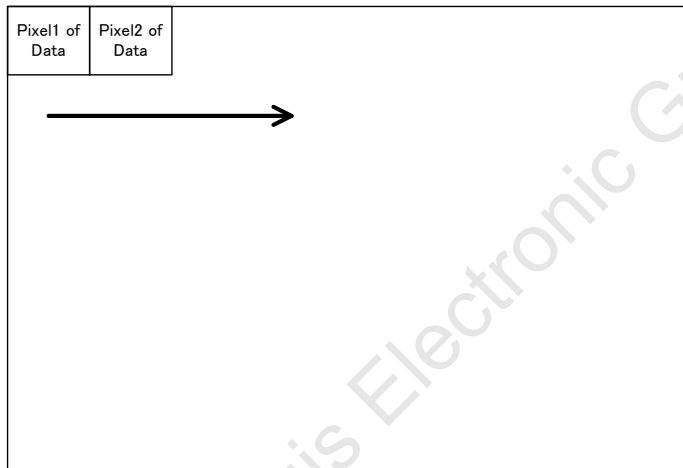
Aegis (888)687-6877
 ELECTRONIC GROUP, INC
 aegis-g2@aegiselect.com



R0 to R7, G0 to G7, B0 to B7: 8bit RGB 8bit data for one pixel

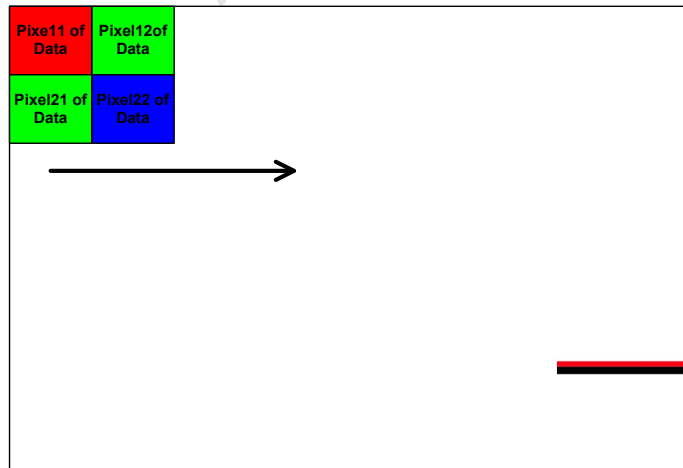
5.4 Data Transfer Image

STC-MB133PCL (Monochrome mode)



Pixel n of Data: Transfer data on n th

STC-MC133PCL (Color Model)



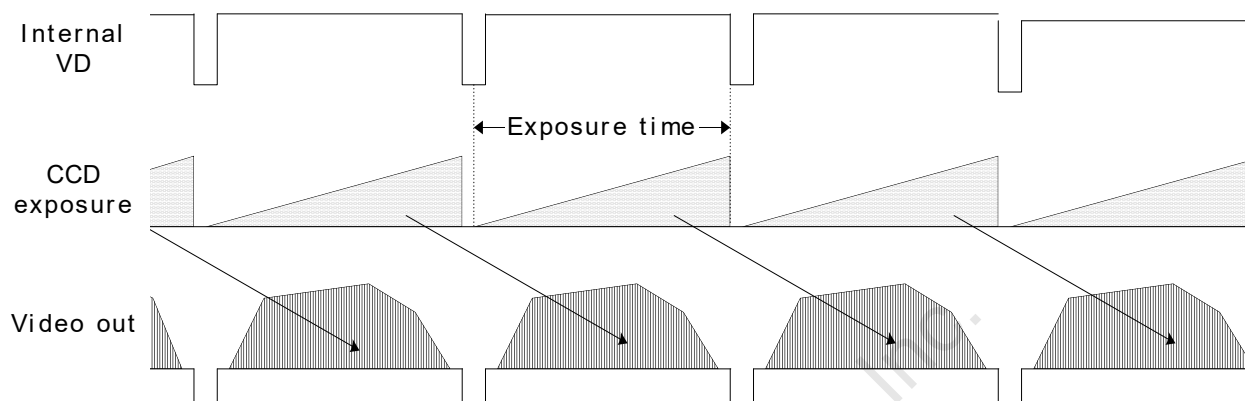
Pixel mn of Data: Transfer data on n th Row, |

Aegis (888)687-6877
 ELECTRONIC GROUP, INC
 aegis-g2@aegiselect.com

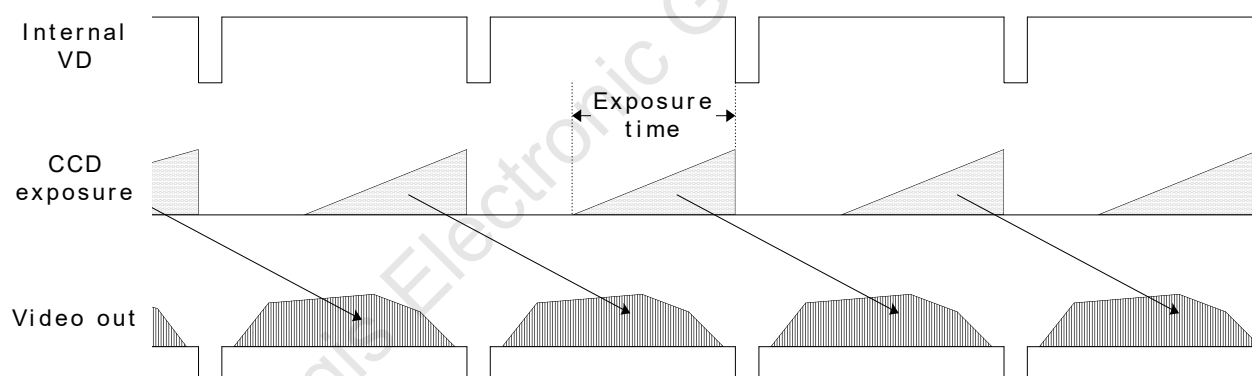
6 Camera function mode

6.1 Normal mode

6.1.1 Normal mode (Frame exposure)



6.1.2 Normal mode (Electronic shutter)

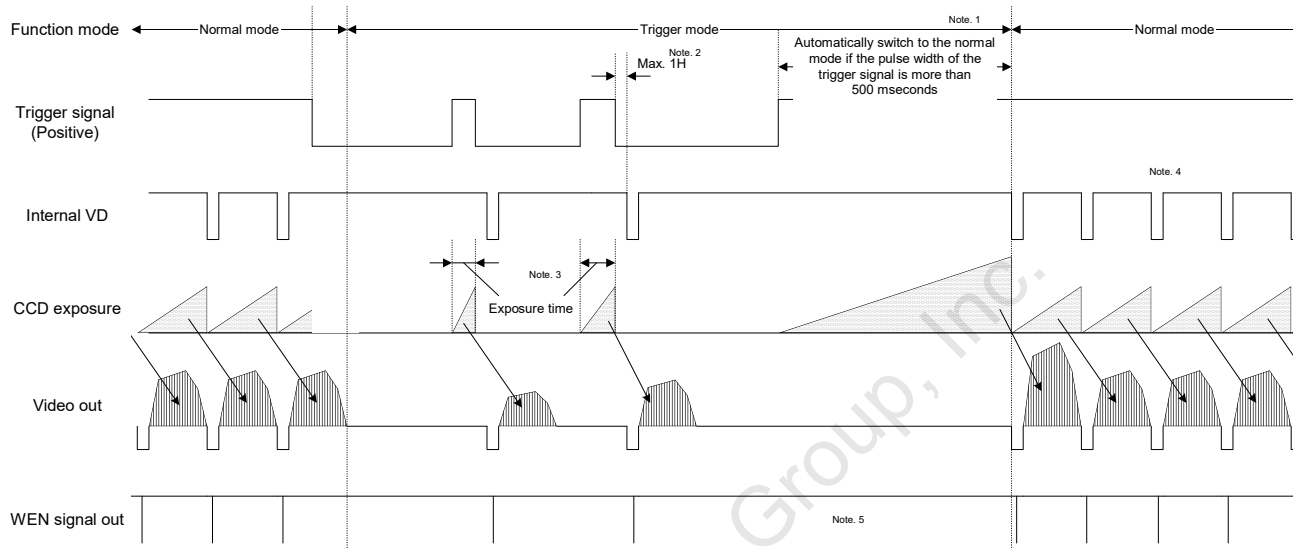


(888)687-6877
 ELECTRONIC GROUP, INC
aegis-g2@aegiselect.com

6.2 Pulse width trigger mode

In this "Pulse width trigger mode" with positive polarity, the camera exposure starts at the rising edge the trigger signal and stops at the falling edge of the trigger signal. Therefore, in this case that the exposure time set by the high state pulse width of the trigger signal.

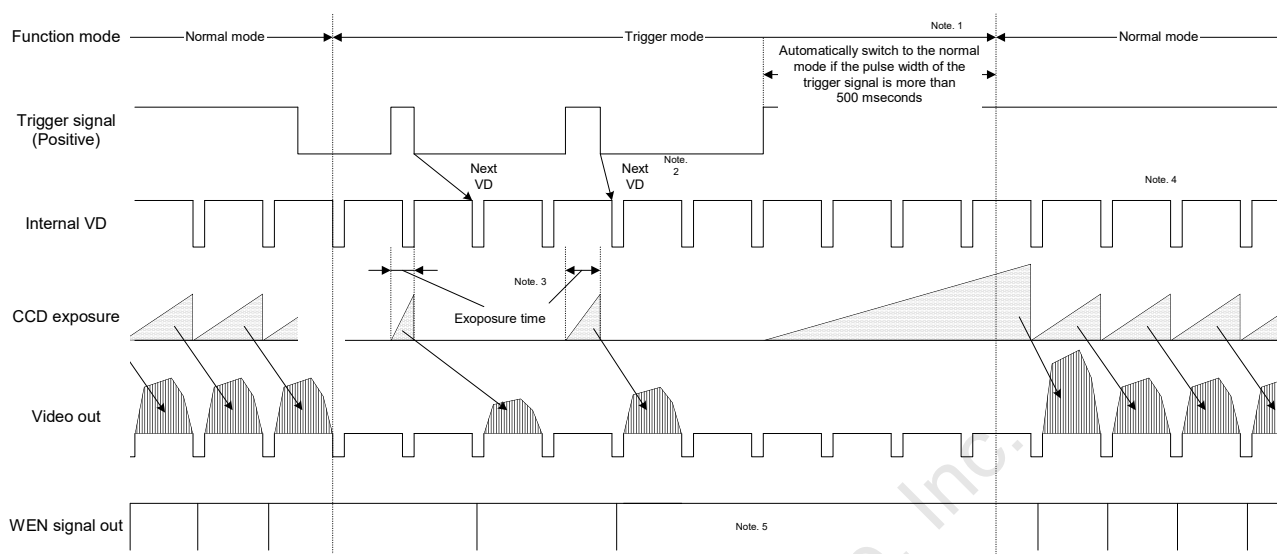
6.2.1 Pulse width trigger mode (V-Reset)



Notes:

1. The camera does NOT switch to the normal mode when the long exposure mode is selected. This timing chart shows when the long exposure mode selected.
2. The internal VD signal is reset immediately after the exposure is finished as this timing chart, and the video output signal is sent out according to that reset VD timing.
3. The exposure time is controlled by the pulse width of the trigger signal as this timing chart.
4. External VD signal input continuously during the external sync mode. External VD signal is disregard during the trigger mode.
5. The WEN signal does not output when the exposure by the trigger signal does not exists during the trigger mode.

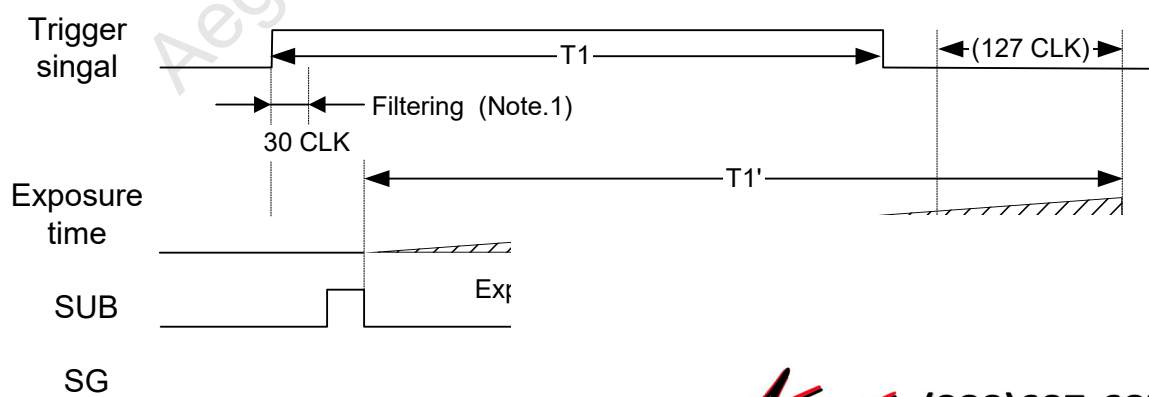
6.2.2 Pulse width trigger mode (Non-Reset)



Notes:

1. The camera does NOT switch to the normal mode when the long exposure mode is selected. This timing chart shows when the long exposure mode selected.
2. The internal VD signal does not reset by the trigger signal. The video output signal is sent out at the next VD timing.
3. The exposure time is controlled by the pulse width of the trigger signal as this timing chart.
4. External VD signal input continuously during the external sync mode. External VD signal is disregard during the trigger mode.
5. The WEN signal does not output when the exposure by the trigger signal does not exists during the trigger mode.

6.2.3 Pulse width trigger mode (Exposure timing)



Notes:

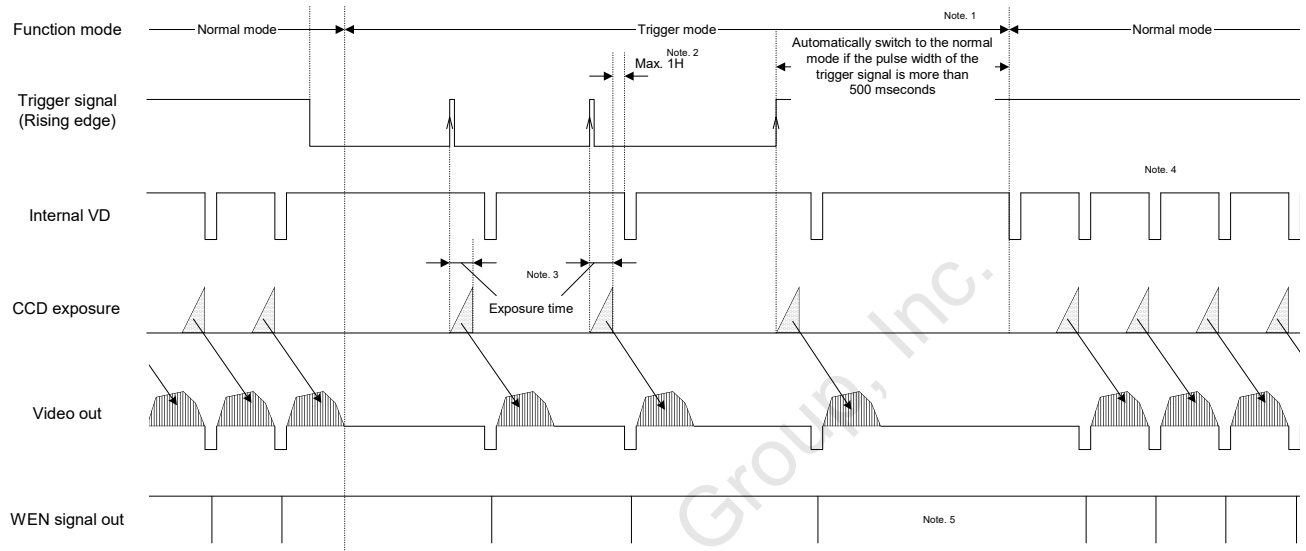
1. The trigger signal equal to or shorter than 30 CLK.
2. Input trigger signal has to be more than 30 CLK.
3. The exposure starts 63 clocks after the trigger signal.

(888)687-6877
 ELECTRONIC GROUP, INC
aegis-g2@aegiselect.com

6.3 Edge preset trigger mode

In this "Edge preset trigger mode" with positive polarity, the camera exposure starts at the rising edge the trigger signal. In this mode, the exposure duration time is based on the preset exposure time (shutter speed) by the camera setting communication or the DIP Switch on the rear panel.

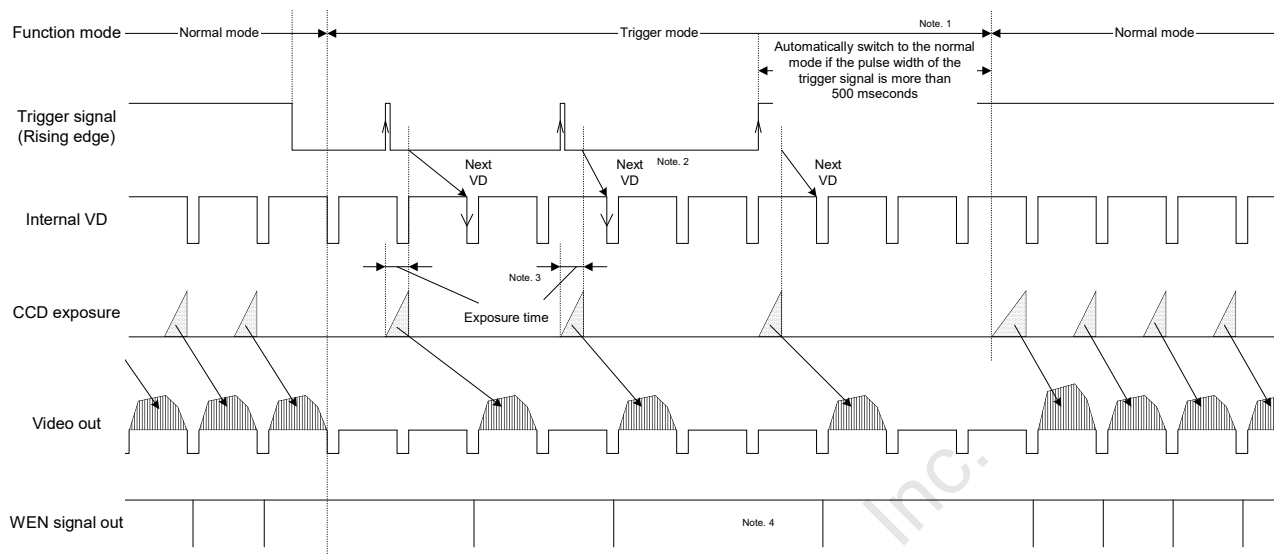
6.3.1 Edge preset trigger mode (V-Reset)



Notes:

1. The camera does NOT switch to the normal mode when the long exposure mode is selected. This timing chart shows when the long exposure mode selected.
2. The internal VD signal is reset immediately after the exposure is finished as this timing chart, and the video output signal is sent out according to that reset VD timing.
3. The exposure time is controlled by the camera setting communication (Refer to the command 20H and 21H) or the DIP Switch on the rear panel as "shutter speed".
4. External VD signal input continuously during the external sync mode. External VD signal is disregard during the trigger mode.
5. The WEN signal does not output when the exposure by the trigger signal does not exists during the trigger mode.

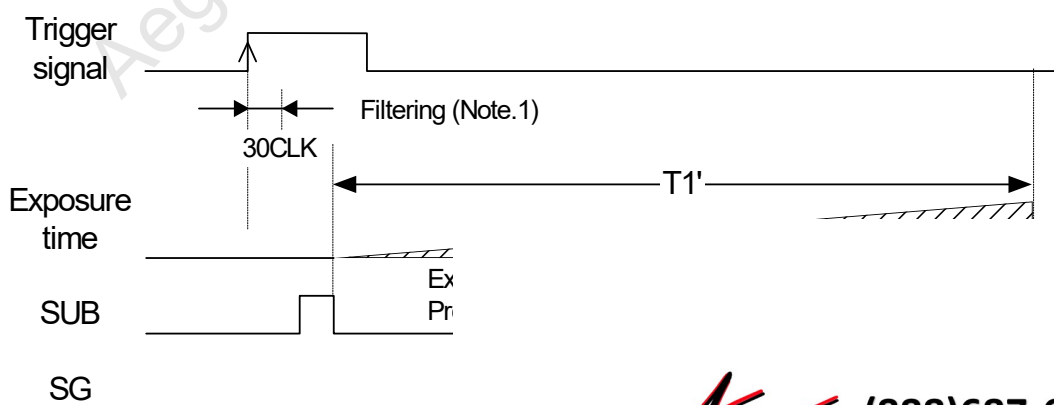
6.3.2 Edge preset trigger mode (Non-Reset)



Notes:

1. The camera does NOT switch to the normal mode when the long exposure mode is selected. This timing chart shows when the long exposure mode selected.
2. The internal VD signal does not reset by the trigger signal. The video output signal is sent out at the next internal reset VD timing.
3. The exposure time is controlled by the camera setting communication (Refer to the command 20H and 21H) or the DIP Switch on the rear panel as "shutter speed".
4. External VD signal input continuously during the external sync mode. External VD signal is disregard during the trigger mode.
5. The WEN signal does not output when the exposure by the trigger signal does not exists during the trigger mode.

6.3.3 Edge preset trigger mode (Exposure timing)



Notes:

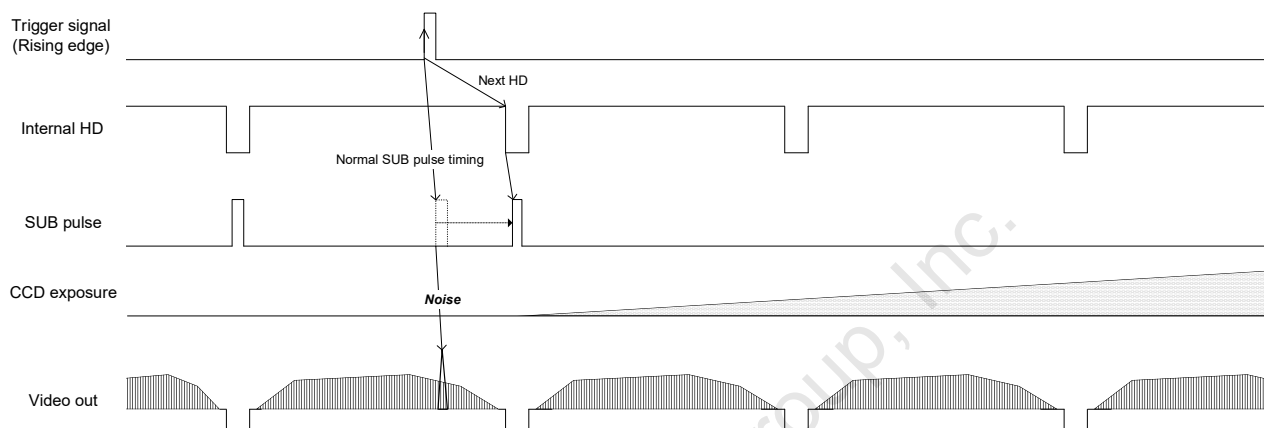
1. The trigger signal equal to or shorter than 30CLK.
2. Input trigger signal has to be more than 30CLK.
3. The exposure starts 63 clocks after the rising edge of the trigger signal.

(888)687-6877
 ELECTRONIC GROUP, INC
 aegis-g2@aegiselect.com

6.4 H reset mode

Normally, the video noise appears when the beginning of the trigger signal is applied before finishing the video out of the previous frame. This noise is caused by the SUB pulse, which is activated to clear all residual charges on CCD prior to a new exposure. By selecting this "H reset mode", the camera automatically holds the actual activation of the trigger until the next horizontal blanking period. By doing this, the SUB pulse is activated during the horizontal blanking period and the noise in the image can be avoided.

Note: Due to the principal of this operation, there can be maximum 1H of delay of the actual trigger signal.



Aegis Electronic Group, Inc.

Aegis (888)687-6877
 ELECTRONIC GROUP, INC
 aegis-g2@aegiselect.com

7 The communication protocol specifications

This camera has the communication function that enables external devices like PC control the camera functions. Please use "CLCtrl" communication software or use following the communication protocol to communicate to the camera.

Note. 1) The communication problem may occur under the following conditions:

1. When the external sync frequency is illegal (more than 1% off from the specified frequency).
2. When external sync is unstable (In another word the bad external sync signal).
3. About for one second after switching from/to external sync mode to/from internal sync mode.
4. About for one second after switching frame rate.

7.1 The communication method

UART (RS232C), Binary communication

7.2 The communication settings

	Settings
Baud rate	9,600bps / 38,400bps / 57,600bps / 115,200bps
Data bit	8bit
Parity	None
Stop bit	1bit
Flow control	None

Aegis Electronic Group, Inc.

Aegis (888)687-6877
 ELECTRONIC GROUP, INC
 aegis-g2@aegiselect.com

7.3 The communication format

A. The sending data format from the PC to the camera is as follows:

a. Send the read command

SOF (8bit)	Device code (6bit)	Read (1bit)	Page selection (1bit)	Command code (8bit)	Data length (8bit)	Data (1byte)	EOF (8bit)
---------------	-----------------------	----------------	--------------------------	------------------------	-----------------------	-----------------	---------------

b. Send the write command

SOF (8bit)	Device code (6bit)	Write (1bit)	Page selection (1bit)	Command code (8bit)	Data length (8bit)	Data (Data length byte)	EOF (8bit)
---------------	-----------------------	-----------------	--------------------------	------------------------	-----------------------	----------------------------	---------------

B. The receiving data format from the camera is as follows:

a. After sent the read command

SOF (8bit)	Data length (8bit)	Data (Data length byte)	EOF (8bit)
---------------	-----------------------	----------------------------	---------------

b. After sent the write command

SOF (8bit)	Data length (8bit) "00"	Receiving code (8bit)	EOF (8bit)
---------------	----------------------------	--------------------------	---------------

C. Descriptions of the format

Name	Descriptions
SOF	Start of the frame Sets (or gets) the value is as "02H" always.
Device code	Sets the device code of the camera is as "000000".
Read / Write	Sets (or gets) "0" when send read command. Sets (or gets) "1" when send write command.
Page selection	Sets "0" when access to the command register of the camera Gets current data from the command register when sent read command. The data of the command register is replaced by the sent data when sent write command. The data of the EEPROM is not replaced. Sets "1" when access to the EEPROM of the camera The camera works with the data of the EEPROM when the power on the camera. Gets the data from the EEPROM when sent read. The data of the EEPROM is replaced by sent data when sent write command. The camera sends the receiving code as "01H" to the PC after the data of the EEPROM is replaced. The camera rejects other commands while the data of the EEPROM is being replaced (approximately 5 msec. / byte).
Command code	Please refer from the following page.
Data length	Data length (Unit: byte) Receiving data The data length is depending on the command after sent read command. The data length is "00H" after sent write command. Sending data The data length is 1 byte when send read command. The data length is depending on the command when send write command.
Data	The value of the data is depending on the command
EOF	End of the frame Sets (or gets) the value is as "03H" always
Receiving code	Result of the sending command 01H: OK (ACK), 11H: Communication problem

D. Example command

Send the read command to read the 00H address:
02, 00, 00, 01, 00, 03
SOF, (Device code/Read/Register), Comma

The return command
02, 01, 00, 03

 (888)687-6877
ELECTRONIC GROUP, INC
aegis-g2@aegiselect.com

7.4 The camera control commands

7.4.1 The camera commands list

Note. 1: The data unit of the each command is 1byte (8bit).

Note. 2: The data can be saved to the EEPROM if "x" in the "Save to EEPROM" column in the list.

Note. 3: The camera is operating with the data of the EEPROM when the power on the camera.

Command No.	R/W	EEPROM	Function	Initial data	Data range
00 - 0FH			Reserved (Please do not use these)	-	-
10H	R/W	○	The camera function mode 1 (8bit: D[7..0])	9	
11H	R/W	○	The camera function mode 2 (8bit: D[7..0])	0	
12H	R/W	○	The camera function mode 3 (8bit: D[7..0])	0	
13H	R/W	○	The camera function mode 4 (8bit: D[7..0])	0	
14H	R/W	○	The communication mode (8bit: D[7..0])	1	
15 - 1FH			Reserved (Please do not use these)	-	-
20H	R/W	○	The exposure time (H) of the electronic shutter (16bit: D[7..0])	0	0 to 4095
21H	R/W	○	The exposure time (H) of the electronic shutter (16bit: D[15..8])		
22H	R/W	○	The exposure time (CLK) of the electronic shutter (16bit: D[7..0])	0	0 to 1659
23H	R/W	○	The exposure time (CLK) of the electronic shutter (16bit: D[15..8])		
24H	R/W	○	The start line of the variable partial scanning (16bit: D[7..0])	0	0 to 965
25H	R/W	○	The start line of the variable partial scanning (16bit: D[15..8])		
26H	R/W	○	The effective lines of the variable partial scanning (16bit: D[7..0])	966	1 to 966
27H	R/W	○	The effective lines of the variable partial scanning (16bit: D[15..8])		
28H	R/W	○	The delay time of the trigger (8bit: D[7..0])	0	0 to 255
29 - 2FH			Reserved (Please do not use these)	-	-
30H	R/W	○	CDS gain (8bit: D[7..0])	0	0 to 255
31H	R/W	○	The digital gain (8bit: D[7..0])	Factory Setting	-
32H	R/W	○	The gain offset (6bit: D[5..0])	Factory Setting	-
33 - 37H			Reserved (Please do not use these)	-	-
38H	R/W	○	The clamp level (8bit: D[7..0])	128	0 to 255
39H			Reserved (Please do not use these)	-	-
3AH	R/W	○	R Gain (8bit: D[7..0]) (Only available for STC-MC133PCL)	0	0 to 255
3BH	R/W	○	B Gain (8bit: D[7..0]) (Only available for STC-MC133PCL)	0	0 to 255
3CH	R/W	○	Gr Gain (8bit: D[7..0]) (On		
3DH	R/W	○	Gb Gain (8bit: D[7..0]) (On		
3E - 7FH			Reserved (Please do not		


(888)687-6877
 ELECTRONIC GROUP, INC
aegis-g2@aegiselect.com

Command No.	R/W	EEPROM	Function	Initial data	Data range
80H	R/W	×	EEPROM control (8bit: D[7..0])		
81 - 9FH			Reserved (Please do not use these)	-	-
A0H	W	○	Pixel defect correction mode Setting (8bit: D[7..0])	1	-
A1H	W	○	Pixel defect number (0 to 15) 設定 (8bit: D[7..0])	0	0 to 63
A2H	W	○	Horizontal coordinate (Write) Lower (16bit: D[7..0])	0	0 to 65536
A3H	W	○	Horizontal coordinate (Write) Upper (16bit: D[15..8])		
A4H	W	○	Vertical coordinate (Write) Lower (16bit: D[7..0])	0	0 to 65536
A5H	W	○	Vertical (Write) Upper (16bit: D[15..8])		
A6H	R	○	Horizontal coordinate (Read) Lower (16bit: D[7..0])	0	-
A7H	R	○	Horizontal coordinate (Read) Upper (16bit: D[15..8])		
A8H	R	○	Vertical coordinate (Read) Lower (16bit: D[7..0])	0	-
A9H	R	○	Vertical coordinate (Read) Upper (16bit: D[15..8])		
AA - EFH	-	-	Reserved (Please do not use these)	-	-
F0H	R/W	X	The signals of the power/IO connector (8bit: D[7..0])		
F1 - FFH			Reserved (Please do not use these)	-	-

Aegis Electronic Group, Inc.

Aegis (888)687-6877
ELECTRONIC GROUP, INC
aegis-g2@aegiselect.com

7.4.2 Description of the camera control commands (The under line settings are the factory default settings)

Command No.	Command descriptions								
10H: MOD1[7..0]	<p>[The camera function mode 1] Initial data: 9 Sets the camera function mode.</p> <p>D[7..0] <table border="1" style="display: inline-table; vertical-align: middle;"><tr><td>D7</td><td>D6</td><td>D5</td><td>D4</td><td>D3</td><td>D2</td><td>D1</td><td>D0</td></tr></table></p> <p>D7: Continuous / Trigger mode <u>0: Auto</u>, 1: Manual</p> <p>D6: Trigger polarity <u>0: Positive</u>, 1: Negative</p> <p>D5: Trigger mode <u>0: Edge preset</u>, 1: Pulse width</p> <p>D4: Binning mode <u>0: OFF (Normal)</u>, 1: ON (Binning)</p> <p>D3: Scanning mode <u>0: Full scanning</u>, <u>1: Partial scanning</u></p> <p>D2 to D0: Reset mode 000: Non-Reset, <u>001: V-Reset</u> 010 to 111: No function (Prohibited setting. Do not set these values)</p>	D7	D6	D5	D4	D3	D2	D1	D0
D7	D6	D5	D4	D3	D2	D1	D0		
11H: MOD2[7..0]	<p>[The camera function mode 2] Initial data: 0 Sets the camera function mode.</p> <p>D[7..0] <table border="1" style="display: inline-table; vertical-align: middle;"><tr><td>D7</td><td>D6</td><td>D5</td><td>D4</td><td>D3</td><td>D2</td><td>D1</td><td>D0</td></tr></table></p> <p>D7: Sync system <u>0: HD/VD in (External)</u>, 1: HD/VD out (Internal)</p> <p>D6 to D5: No function <u>Sets always as "00"</u></p> <p>D4: Smear half reductio<u>0: OFF</u>, 1: ON</p> <p>D3: Function mode <u>0: Trigger mode</u>, 1: Continuous mode</p> <p>D2 to D0: Partial scanning <u>000: Full scanning</u>, 001: 1/2 partial scanning 010: 1/4 partial scanning, 111: Varialbe partial scanning 011 to 110: No function (Prohibited setting. Do not set these values)</p> <p>Function mode is enable when the "Continuous / Trigger mode (MOD1[7])" is manual (sets as 1). No video output without the trigger signal input while the camera works with the trigger mode.</p>	D7	D6	D5	D4	D3	D2	D1	D0
D7	D6	D5	D4	D3	D2	D1	D0		

 (888)687-6877

ELECTRONIC GROUP, INC
aegis-g2@aegiselect.com

Command No.	Command descriptions																																												
1CH: [7..0]	[The maximum value on AGC] Initial data : [7..0] = 255, Data range : 0 to 255 Set the maximum value on AGC (Auto Gain Control).																																												
1DH: [7..0]	[The target value on AGC] Initial data : [7..0] = 128, Data range : 0 to 255 Set the target value on AGC (Auto Gain Control).																																												
1EH: ALC[7..0]	[A The ALC mode setting] Initial data : [7..0] = 0, Data range : 0 to 3 Set the ALC mode. D[7...0] <table border="1" style="width: 100%; text-align: center;"> <tr> <td>D7</td><td>D6</td><td>D5</td><td>D4</td><td>D3</td><td>D2</td><td>D1</td><td>D0</td> </tr> </table> <table border="1" style="width: 100%; margin-top: 5px;"> <tr> <td>D7 to D2:</td> <td>No function</td> <td colspan="2">Set always "000000"</td> </tr> <tr> <td>D1:</td> <td>AGC (Auto Gain Control)</td> <td>0: OFF</td> <td>1: ON</td> </tr> <tr> <td>D0:</td> <td>AE (Auto Exposure)</td> <td>0: OFF</td> <td>1: ON</td> </tr> </table> <p>When Long exposure is Enable with AE function, then exposure time is controlled over frame rate. Thus frame rate would be changed by exposure time.</p>	D7	D6	D5	D4	D3	D2	D1	D0	D7 to D2:	No function	Set always "000000"		D1:	AGC (Auto Gain Control)	0: OFF	1: ON	D0:	AE (Auto Exposure)	0: OFF	1: ON																								
D7	D6	D5	D4	D3	D2	D1	D0																																						
D7 to D2:	No function	Set always "000000"																																											
D1:	AGC (Auto Gain Control)	0: OFF	1: ON																																										
D0:	AE (Auto Exposure)	0: OFF	1: ON																																										
1FH: WB[7..0]	[WB] Initial data : [7..0] = 0 Set the White Balance. D[7...0] <table border="1" style="width: 100%; text-align: center;"> <tr> <td>D7</td><td>D6</td><td>D5</td><td>D4</td><td>D3</td><td>D2</td><td>D1</td><td>D0</td> </tr> </table> <table border="1" style="width: 100%; margin-top: 5px;"> <tr> <td>D7</td> <td>Save the current WB gain value on preset</td> <td colspan="2">0 -> 1: Save the current WB gain value on preset(Automatic 0 clear when WB completed)</td> </tr> <tr> <td>D6</td> <td>No function</td> <td colspan="2">Set always "0"</td> </tr> <tr> <td>D5 to D4</td> <td>Select the location on WB gain preset</td> <td>00: No function</td> <td>01: Preset 0</td> </tr> <tr> <td></td> <td></td> <td>10: Preset 1</td> <td>11: Preset 2</td> </tr> <tr> <td>D3:</td> <td>Push to set WB</td> <td colspan="2">0 -> 1: Execute (Automatic 0 clear when WB completed)</td> </tr> <tr> <td>D2:to D0</td> <td>WB Mode Setting</td> <td>000:Manual</td> <td>001: Preset 0</td> </tr> <tr> <td></td> <td></td> <td>010: Preset 1</td> <td>011: Preset 2</td> </tr> <tr> <td></td> <td></td> <td>100:ATW</td> <td>101: Push to set WB</td> </tr> <tr> <td></td> <td></td> <td>110: OFF</td> <td>111: OFF</td> </tr> </table>	D7	D6	D5	D4	D3	D2	D1	D0	D7	Save the current WB gain value on preset	0 -> 1: Save the current WB gain value on preset(Automatic 0 clear when WB completed)		D6	No function	Set always "0"		D5 to D4	Select the location on WB gain preset	00: No function	01: Preset 0			10: Preset 1	11: Preset 2	D3:	Push to set WB	0 -> 1: Execute (Automatic 0 clear when WB completed)		D2:to D0	WB Mode Setting	000:Manual	001: Preset 0			010: Preset 1	011: Preset 2			100:ATW	101: Push to set WB			110: OFF	111: OFF
D7	D6	D5	D4	D3	D2	D1	D0																																						
D7	Save the current WB gain value on preset	0 -> 1: Save the current WB gain value on preset(Automatic 0 clear when WB completed)																																											
D6	No function	Set always "0"																																											
D5 to D4	Select the location on WB gain preset	00: No function	01: Preset 0																																										
		10: Preset 1	11: Preset 2																																										
D3:	Push to set WB	0 -> 1: Execute (Automatic 0 clear when WB completed)																																											
D2:to D0	WB Mode Setting	000:Manual	001: Preset 0																																										
		010: Preset 1	011: Preset 2																																										
		100:ATW	101: Push to set WB																																										
		110: OFF	111: OFF																																										

(888)687-6877
 ELECTRONIC GROUP, INC
 aegis-g2@aegiselect.com

Command No.	Command descriptions
20H: SVR[7..0] 21H: SVR[15..8]	<p>[The exposure time (H) of the electronic shutter] Initial data: SVR[15..0] = 0, data range: 0 to 4095 Sets the preset shutter speed for electronic shutter.</p> <p>Exposure time (shutter speed) = SVR[15..0] x (1H cycle) + SHR[15..0] x (1CLK cycle) The camera works with the shutter off (Frame exposure) when this value sets 0 and the value of SHR[] is 0. The camera works with minimum shutter speed when this value sets 0 and the value of SHR[] is 1 to 368.</p> <p>Automatically sets 4095 when sets more then 4095.</p>
22H: SHR[7..0] 23H: SHR[15..8]	<p>[The exposure time (CLK) of the electronic shutter] Initial data: SHR[15..0] = 0, data range: 0 to 1659 Sets the preset shutter speed for electronic shutter.</p> <p>Exposure time (shutter speed) = SVR[15..0] x (1H cycle) + SHR[15..0] x (1CLK cycle) The camera works with the shutter off (Frame exposure) when this value sets 0 and the value of SVR[] is 0. The camera works with minimum shutter speed when this value sets 1 to 368 and the value of SVR[] is 0.</p> <p>Automatically sets 1659 when sets more the 1659.</p>
24H: PSR[7..0] 25H: PSR[15..8]	<p>[The start line of the variable partial scanning] Initial data: PSR[15..0] = 0, data range: 0 to 965 Sets the start line of the variable partial scanning.</p> <p>Actual start line of the partial scanning = this value + 1</p> <p>Automatically sets 965 when sets more then 965. The camera works with the full scanning when (PSR[] + PWR[]) is more than 965.</p>
26H: PWR[7..0] 27H: PWR[15..8]	<p>[The effective lines of the variable partial scanning] Initial data: PWR[15..0] = 966, data range: 1 to 966 Sets the number of the effective lines (image height) of the variable partial scanning</p> <p>Automatically sets 966 when sets mor The camera works with the full scann</p>
28H: DLY[7..0]	<p>[The delay time for the trigger] Initial d Sets the delay time that is from the tri</p> <p>Delay time = 61 CLK x DLY[7..0] (use 61 x 0.02716 x DLY (use</p>

(888)687-6877
ELECTRONIC GROUP, INC
aegis-g2@aegiselect.com

Command No.	Command descriptions
30H: PGA[7..0]	[CDS gain] Initial data: PGA[7..0] = 0, data range:0 to 255 Sets the CDS gain (programable gain). CDS gain = 0.0351 x (PGA[7..0] x 3 + GOFs[7..0]) (dB) * GOFs[7..0]: The gain offset (The value of the address 32H)
31H: DGB[7..0]	[The digital gain] Initial data: DGB[7..0] = The factory adjusted value (The value of the address 0EH) Video level = (Input video level - clamp level) x (1 + DGB[7..0] / 128) + clamp level
32H: GOFs[7..0]	[The gain offset] Initial data: GOFs[7..0] = The factory adjusted value (The value of the address 0FH), data range: 0 to 255
38H: CLAMP[7..0]	[The clamp level] Initial data: CLAMP[7..0] = 128, data range: 0 to 255 Sets the clamp level (The clamp level of the black signal). Clamp level = CLAMP[7..0] / 4 (at 8bit output) Clamp level = CLAMP[7..0] / 16 (at 10bit output) Clamp level = CLAMP[7..0] (at 12bit output)
3AH: RG[7..0]	[R gain for the white balance] Only available for STC-MC133PCL Initial data: RG[7..0] =0, data range: 0 to 255
3BH: BG[7..0]	[B gain for the white balance] Only available for STC-MC133PCL Initial data: BG[7..0] = 0, data range: 0 to 255
3CH: GRG[7..0]	[Gr gain for the white balance] Only available for STC-MC133PCL Initial data: GRG[7..0] = 0, data range: 0 to 255
3DH: GBG[7..0]	[Gb gain for the white balance] Only available for STC-MC133PCL Initial data: GBG[7..0] = 0, data range: 0 to 255


(888)687-6877
 ELECTRONIC GROUP, INC
aegis-g2@aegiselect.com

Command No.	Command descriptions																										
A0H: PDC0[7..0]	<p>[Pixel defect correction mode Setting] Initial data : PDC0[7..0] = 0, Data range: 0 to 7 D[7..0]</p> <table border="1"> <tr> <td>D7</td> <td>D6</td> <td>D5</td> <td>D4</td> <td>D3</td> <td>D2</td> <td>D1</td> <td>D0</td> </tr> </table> <table border="1"> <tr> <td>D7</td> <td>Write compensate coordinate</td> <td>0→1 : Write (data will be deleted camera inside after writing) *Data of pixel defect number on A2 to A5 is written into Pixel defect number on A1</td> </tr> <tr> <td>D6:</td> <td>Read compensate coordinate</td> <td>0→1 : Read (data will be deleted camera inside after read out) *Data of pixel defect number on A1 is written into register A6 to A9</td> </tr> <tr> <td>D5</td> <td>Save compensate coordinate into EEPROM</td> <td>0→1 : Read (data will be deleted camera inside after read out) *All of coordinate information(16 points) are saved into EEPROM</td> </tr> <tr> <td>D4~D2</td> <td>No function</td> <td>Set always "000"</td> </tr> <tr> <td>D1</td> <td>Show compensate pixel</td> <td>0: OFF 1: ON</td> </tr> <tr> <td>D0</td> <td>Pixel defect correction</td> <td>0: OFF 1: ON</td> </tr> </table>	D7	D6	D5	D4	D3	D2	D1	D0	D7	Write compensate coordinate	0→1 : Write (data will be deleted camera inside after writing) *Data of pixel defect number on A2 to A5 is written into Pixel defect number on A1	D6:	Read compensate coordinate	0→1 : Read (data will be deleted camera inside after read out) *Data of pixel defect number on A1 is written into register A6 to A9	D5	Save compensate coordinate into EEPROM	0→1 : Read (data will be deleted camera inside after read out) *All of coordinate information(16 points) are saved into EEPROM	D4~D2	No function	Set always "000"	D1	Show compensate pixel	0: OFF 1: ON	D0	Pixel defect correction	0: OFF 1: ON
D7	D6	D5	D4	D3	D2	D1	D0																				
D7	Write compensate coordinate	0→1 : Write (data will be deleted camera inside after writing) *Data of pixel defect number on A2 to A5 is written into Pixel defect number on A1																									
D6:	Read compensate coordinate	0→1 : Read (data will be deleted camera inside after read out) *Data of pixel defect number on A1 is written into register A6 to A9																									
D5	Save compensate coordinate into EEPROM	0→1 : Read (data will be deleted camera inside after read out) *All of coordinate information(16 points) are saved into EEPROM																									
D4~D2	No function	Set always "000"																									
D1	Show compensate pixel	0: OFF 1: ON																									
D0	Pixel defect correction	0: OFF 1: ON																									
A1H: PDC1[7..0]	<p>[Pixel defect number] Initial data: PDC1[7..0] [7..0] = 0, Data range: 0 to 63 D[7..0]</p> <table border="1"> <tr> <td>D7</td> <td>D6</td> <td>D5</td> <td>D4</td> <td>D3</td> <td>D2</td> <td>D1</td> <td>D0</td> </tr> </table> <table border="1"> <tr> <td>D7 ~ D6</td> <td>No function</td> <td>Set always "00"</td> </tr> <tr> <td>D5~ D0:</td> <td>EEPROM sync register</td> <td>Pixel defect number (0~63)</td> </tr> </table>	D7	D6	D5	D4	D3	D2	D1	D0	D7 ~ D6	No function	Set always "00"	D5~ D0:	EEPROM sync register	Pixel defect number (0~63)												
D7	D6	D5	D4	D3	D2	D1	D0																				
D7 ~ D6	No function	Set always "00"																									
D5~ D0:	EEPROM sync register	Pixel defect number (0~63)																									
A2H: PDC_WX[7..0] A3H: PDC_WX[15..8]	<p>[Horizontal coordinate (Write)] Initial data : PDC_WX[15..0] = 0, Data range: Enable Horizontal pixel number This sets the compensate pixel's horizontal coordinate.</p>																										
A4H: PDC_WY[7..0] A5H: PDC_WY[15..8]	<p>[Vertical coordinate (Write)] Initial data : PDC_WY[15..0] = 0, Data range: Enable Vertical pixel number This sets the compensate pixel's vertical coordinate.</p>																										
A6H: PDC_RX[7..0] A7H: PDC_RX[15..8]	<p>[Horizontal coordinate (Read)] Initial data : PDC_RX[15..0] = 0 This obtains the compensate pixel's horizontal coordinate.</p>																										
A8H: PDC_RY[7..0] A9H: PDC_RY[15..8]	<p>[Vertical coordinate (Read)] Initial data : PDC_RY[15..0] = 0 This obtains the compensate pixel's vertical coordinate.</p>																										

Aegis Electronic Group, Inc.

Aegis (888)687-6877
ELECTRONIC GROUP, INC
aegis-g2@aegiselect.com