



SRMW-19U-24

19" Waterproof Sunlight Readable LCD Monitor

- 1,000 nits Brightness
- Produces Clear, Sharp Images Even in Direct Bright Sunlight
- Waterproof NEMA 4X Stainless Steel Enclosure
- Protective Anti-Reflective Glass
- Automated Ambient Light Sensor
- Video Inputs: VGA, HDMI, Composite (BNC Loop-Thru)
- Operating Temperature: -22° F to +185° F (-30° to +85° C)
- Lockable On-Screen Display (OSD) Controls
- Auto Re-Start After Power Loss
- **TRU-Tuff** Ensures Maximum Shock/Vibration Resistance
- 3 Year Warranty

The SRMW-19U-24 sunlight readable monitors are designed to operate in direct bright sunlight, or in other high ambient-light conditions. They utilize state-of-the-art LED backlights to produce over 1,000 nits of brightness (vs. 250-300 nits for standard monitors). This results in amazingly bright, crystal-clear images, even with direct, bright sunlight on the face of the screen. The SRMW-19U-24 features a rugged NEMA 4X stainless steel panel-mount enclosure which can also be painted black. It is completely sealed and will withstand rain, snow, sleet, etc. These are ideal for outdoor use in a wide range of demanding applications including military, law enforcement, stadiums, amusement parks, advertising, transportation, marine, auto racing, oil and gas, inspection and other industries where viewability in direct sunlight is crucial.

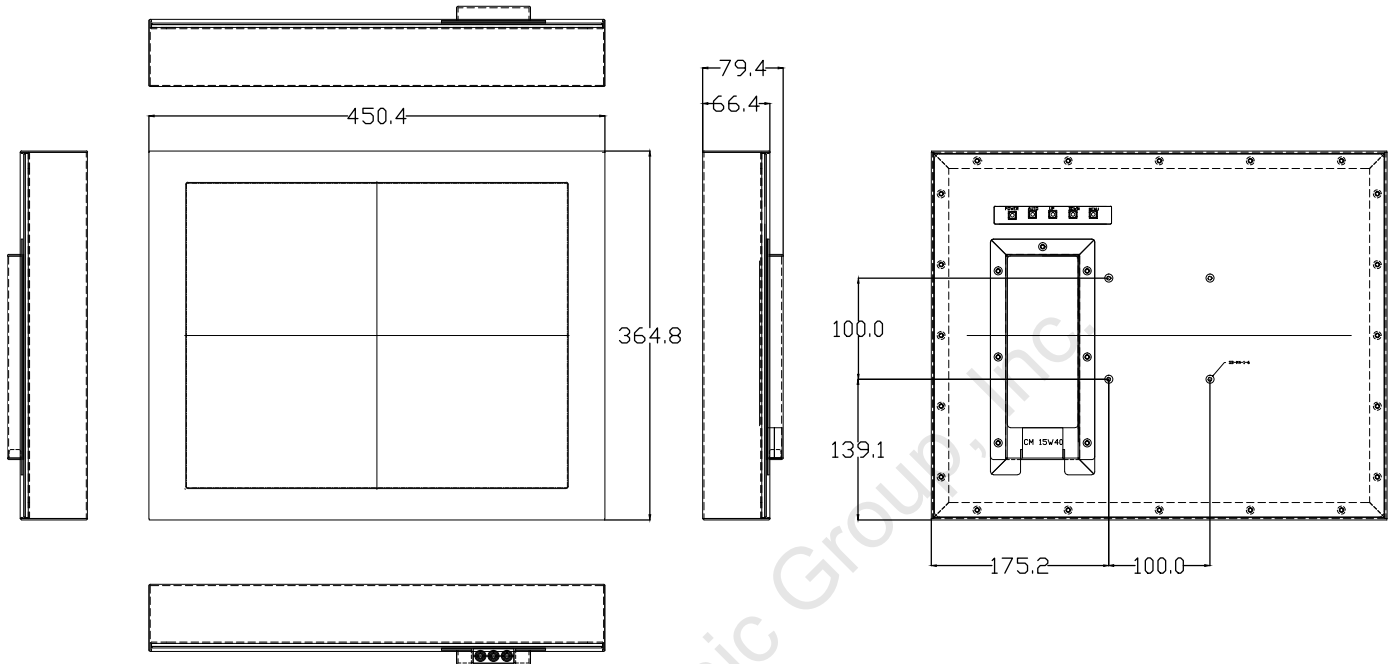
All TRU-Vu industrial LCD monitors are specifically designed for use in demanding applications. Every TRU-Vu monitor utilizes industrial-grade components and high-end LCD panels not found in retail/consumer-grade monitors. This ensures superior image quality, improved performance and greater durability. Our 3-Year Warranty ensures you of reliable worry-free operation. Visit www.TRU-VuMonitors.com for more details.

	Specifications
MODEL	SRMW-19U-24
LCD Panel	19" Color LCD: LED Backlights
Display Resolution	1280 x 1024 (SXGA)
Viewable Area	14.82" (W) x 11.85" (H) (376.32 x 301.06 mm)
Pixel Pitch	0.294 mm
Display Colors	16.7 M
Aspect Ratio	4:3 (5:4)
Brightness	1,000 nits
Contrast Ratio	1,000:1
Backlight Adjustment	Automatic Ambient Light Sensor
Viewing Angle	170° (H) x 160° (V)
Response Time	10 msec
Control	OSD via Rear Panel Pushbuttons
Video Inputs	VGA, HDMI, Composite (BNC Loop-Thru)
Power Requirement	12-24 VDC (optional 90-240 VAC Power Supply)
Power Consumption	40W
Enclosure	Stainless Steel
Enclosure Rating	NEMA 4X Waterproof (No Vent Holes)
Mounting	100 x 100 mm Rear VESA Mount Holes
Operating Temperature	-22° to +185° F (-30° to +85° C)
Humidity	5-90% RH
Shock	50G; 20 msec, half-sine
Vibration	1.5 G, (10-200Hz, P-P)
Dimensions	17.73" (W) x 14.36" (H) x 3.13"(D) (450.4 x 364.8 x 79.4mm)
Weight	18.19 lbs. (8.25 kg)
Included Accessories	Power Pigtail

SRMW-19U-24

19" Waterproof Sunlight Readable LCD Monitor

Dimensions:



Standard Accessories:

- Power Pigtail

Available Options:

- Optical Bonding
- 90-240 VAC Power Supply (PS-200)
- Private Label
- Other Customer- Specific Modifications

