

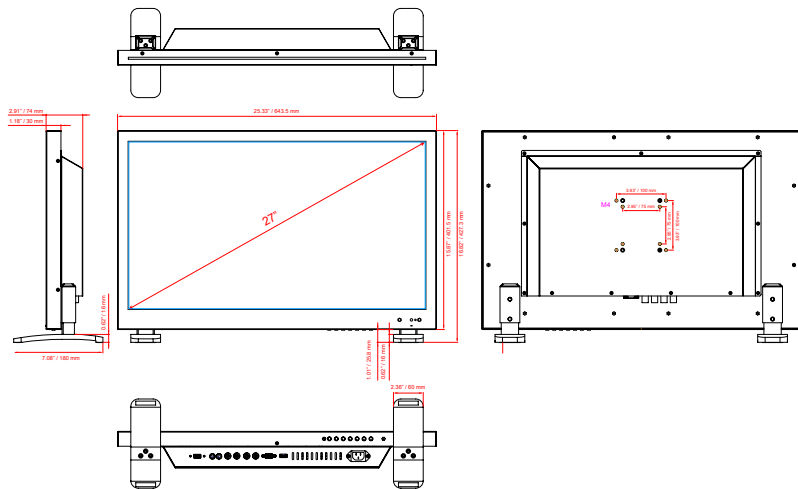
HYBRID PREMIUM FULL HD LED CCTV MONITOR



VZ-27HX ADVANTAGES

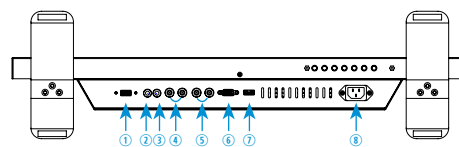
- 27" 1080p CCTV LED Monitor
- 3D Comb-filter, De-interlace
- 16:9 / 4:3 Ratio Available, HDMI, VGA, PC Audio, AV Audio
- 1 Hybrid AV (AHD2.0 / HD-TVI / HD-CVI) Input / Output (Loop-through)
- 1 AV (CVBS) Input / Output (Loop-through)
- Built-in Speakers, Auto Source & Power Recovery
- USB - Media Player
- 3-Year Warranty

DIMENSIONS



MODEL #	VZ-27HX
VIDEO	
Screen Size	27"
Max. Resolution	1920 x 1080 @60Hz
Pixel Pitch	0.311 mm x 0.311 mm
Brightness	300cd/m²(Typical)
Contrast Ratio	1000:1
Aspect Ratio	16 : 9
Viewing Angle (H/V)	178° / 178° (CR > 10)
Display Color	16.7 Million
Response Time	< 14ms
Video System	NTSC / PAL
INTERFACE	
AV (AHD, TVI, CVI) In / Out	1 / 1
AV (CVBS) In / Out	1 / 1
USB In (Media Player)	1
VGA In (15Pin D-Sub)	1
HDMI In	1
PC Audio In / AV Audio In	1 / 1
AUDIO	
Built in speaker	5W X 2
SPECIAL FEATURES	
Filter Type	3D Comb-filter / De-Interlace
Image Retention	YES
Hybrid Input - AHD, TVI, CVI	Support
Multi-lingual Language	English, Spanish, French, Russian, Portuguese
MEDIA PLAYER	
External Storage	Support SD CARD (Max.64GB), USB (2TB)
VIDEO Format	RM, RMVB, AVI, DVIX, MKV, MOV, HDMOV, MP4, M4V, PMP, AVC, FLV, VOB, MPG, DAT, MPEG, TS, TP, M2TS, WMV, H.264, H.263, WMV9, VC-1, MPEG1/2/4
AUDIO Format	MPEG1/2/4, MP3, WMA, OGG, AAC, FLAC, APE, AC-3, DTS, ATRA, WAV, PCM
Image Format	JPEG, TIF, PNG, BMP
VIDEO Resolution	1080P @60Hz
DIMENSIONS & WEIGHT	
Outline Dimension (W x H x D) (Including Stand)	25.33" x 16.82" x 7.08" 643.5mm x 427.3mm x 180mm
Net Weight / Gross Weight	20.65 lbs (9.37 kg) / 29.80 lbs (13.52 kg)
MOUNT	
VESA	75mm x 75mm 100mm x 100mm / 4 x (M4 x L10) Screws
GENERAL	
Power Electrical Ratings	AC100 ~ 240V(50/60Hz)
Consumption	≤ 45 W
Warranty Parts/ Labor	3 Year / 3 Year
Operating Temperature	14 - 122°F / -10°C ~ 50°C
Regulation	CE, FCC (A), ROHS
Compatible Mounts Wall	VZ-AM02, VZ-WM50
Ceiling	VZ-CMKIT-01, VZ-CMKIT-02

INTERFACE



1. USB IN
2. PC Audio IN
3. AV Audio IN
4. AV(AHD, TVI, CVI) IN / OUT
5. AV(CVBS) IN / OUT
6. VGA IN
7. HDMI IN
8. AC 110V IN

Contact Aegis Electronic Group, Inc.

(888)687-6877

aegis-g2@aegiselect.com

http://www.aegiselect.com

