

## Machine Vision Light Bracket

As a leading innovator in the Machine Vision Industry, CEI is proud to introduce our new line of Machine Vision light brackets for demanding vision applications.

### Iris GTR Light Bracket Key Features

- CEI application specific design
- Focusing & optics removal without disassembly
- Easy-open dust cover protection
- Excellent heat dissipation
- Tailored for a specific range of Lights & Optics
- Single point Swivellink mounting
- High quality windows by MidOpt
- Lightweight aluminum construction
- Type 2 anodizing
- Competitive pricing
- Made in USA

### Light Bracket Specs\* (CEI part number E-GTR-02S)

CEI Design Variation: "U" aperture short

Camera: Matrox Iris GTR Smart Camera Series

Supported Optics: See appendix table "A"

Supported Lights: See appendix table "B"

Window: MIDOPT Acrylic AR coated (AC380-46)

Mounting: M5 tapped holes for Swivellink SLM-1

Sealing: Full Dust Cover and Window

Material: 6061 Aluminum

Coating: Type 2 anodized

Length: 50.80 mm (Light bracket only)

101.33 mm (with Camera & Light Plate)

Height: 84.84 mm (Light bracket only)

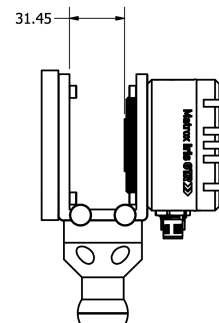
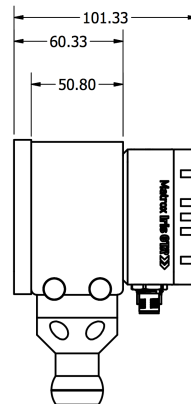
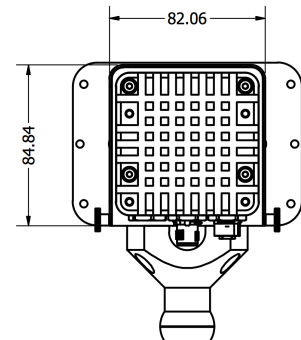
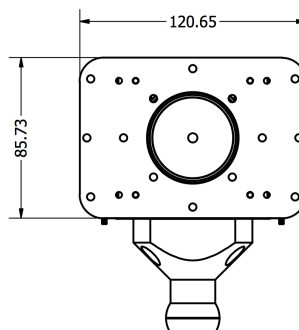
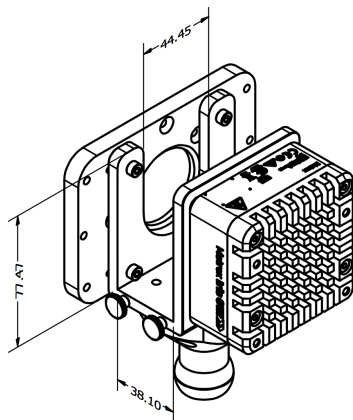
Width: 82.06 mm (Light bracket only)

Window Diameter: 46 mm

Light Plate Dimensions: 120.65 mm x 87.73 mm

Weight: 44 g (W/O Camera, Optics, Light, or Mount)

\*Optics, Lights, and Mount dealer supplied



**CEI part number E-GTR-02S (Short Design)**

**Table "A" - Supported Optics**

<b>Model</b>	<b>Length (mm)</b>
<b>Computar M2514-MP2</b>	<b>36</b>
<b>Computar M1614-MP2</b>	<b>28.2</b>
<b>Computar M1214-MP2</b>	<b>28.2</b>
<b>Computar M0814-MP2</b>	<b>28.2</b>

**Table "B" - Supported Lights**

<b>Model</b>	<b>Diameter</b>
<b>RC130</b>	<b>130mm</b>
<b>R80</b>	<b>80 mm</b>
<b>R130</b>	<b>130mm</b>
<b>RD80</b>	<b>80mm</b>
<b>RD130</b>	<b>130mm</b>
<b>RCC130</b>	<b>130mm</b>
<b>RM75</b>	<b>75 mm</b>
<b>RM140</b>	<b>140 mm</b>

**Ask about additional CEI Machine Vision products:**

- **Mounts, Visors, Air Curtains, Windows, Filters, Cables**
- **Custom Sizes, Lengths, and Focusing Solutions.**
- **Complete Solutions (Camera, Enclosure, Cabling)**

