

## CEI Machine Vision Camera Enclosure IP67 29mm Series Round

As a leading innovator in the Machine Vision Industry, CEI is proud to introduce our new line of Machine Vision Camera Enclosures, Cables, and Accessories for demanding vision applications.

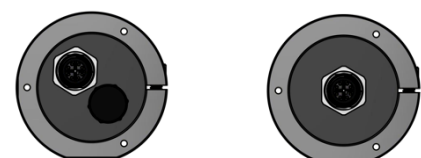
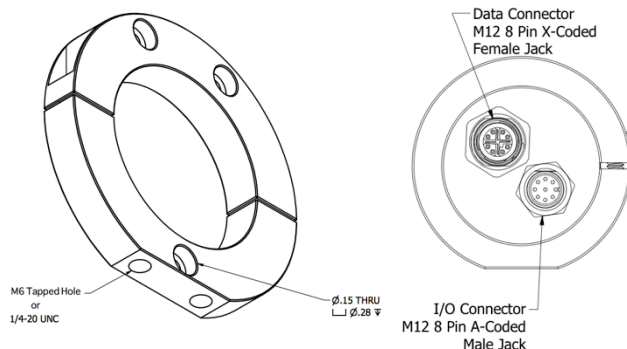
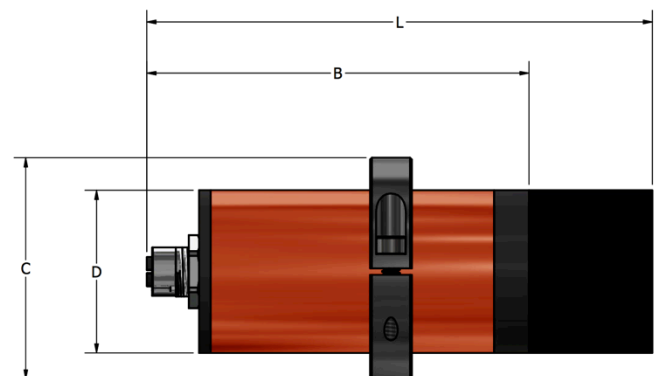
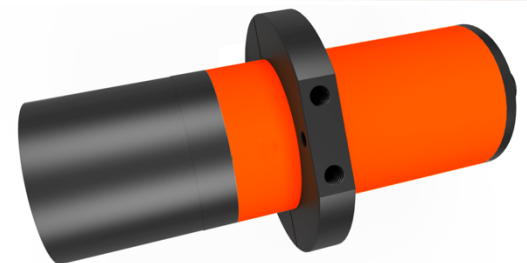
### IP67 29mm Series Camera Round Enclosure Key Features

- CEI Integrated Connector Design ( no cord grips )
- IP67 protection
- Universal design for popular 29mm camera models
- Excellent heat dissipation
- Enclosure tailored for specific Camera & Optics
- Adjustable Mount with 2 tapped holes included
- High quality (easy to replace) windows by Midwest Optical
- Lightweight low-profile design
- Type 2 anodizing
- Options: Mounts, Air Curtains, Windows & Filters, Cables
- Options: Custom Sizes, lengths, and focusing solutions.
- Options: Complete Solutions (Camera, Enclosure, Cabling)
- Competitive pricing
- Made in USA



### Enclosure Specs (See Appendix "A" for part numbers)

**Camera Size:** 29mm square mount machine vision  
**Optics:** Supports a wide range of C-Mount optics  
**Window:** Midwest Optical 2mm Borofloat glass – AR coated  
**Interface Connectors:** M12 X-Code Ethernet Female  
**Optional Interface:** M12 A-Code I/O Male  
**Mounting:** Qty. 2, M6 or 1/4-20 UNC tapped holes with 19.05mm (3/4") hole spacing, adjustable ring mount  
**Sealing:** IP67  
**Material:** 6061 Aluminum  
**Coating:** Type 2 anodized  
**Overall Length (L):** Varies, See Appendix "A"  
**Body Length (B):** 90 mm (incl. interface conn.)  
**Height / Width (D):** 44.5 mm round  
**Mount diameter (C):** 69 mm  
**Window Diameter:** 42 mm  
**Weight:** 370g (typical weight fully assembled W/ Camera)



Call Components Express, Inc. at 630-257-0605 for Ordering Information.

IP67\_29mm Round – Rev D

## Appendix “A” CEI IP67 29mm Series Camera Round:

CEI “Small” round 29mm IP67 Gig-E Enclosure for up to 38mm dia. C-mount lenses, standard adjustable ring mount with 2x tapped mounting holes

Part Number	Description
<b>EM-29R-38</b>	29mm Round IP67 enclosure, 38mm max. lens dia., M6 mount holes
<b>EN-29R-38</b>	29mm Round IP67 enclosure, 38mm max. lens dia., ¼-20 UNC mount holes

CEI “Small” round 29mm IP67 Enclosure for up to 38mm dia. C-mount lenses with Gig-E and I/O connectors, standard adjustable ring mount with 2x tapped holes

Part Number	Description
<b>EM-29RI-38</b>	29mm Round IP67 enclosure, 38mm max. lens dia., M6 mount holes
<b>EN-29RI-38</b>	29mm Round IP67 enclosure, 38mm max. lens dia., ¼-20 UNC mount holes

Lens Covers with 2mm Borofloat AR coated glass windows for CEI EM-29R series IP67 enclosures

Part Number	Description
<b>EN-LC38-30</b>	38mm max. lens dia., 30mm lens length <small>Fig. 1</small>
<b>EN-LC38-36</b>	38mm max. lens dia., 36mm lens length <small>Fig. 2</small>
<b>EN-LC38-44</b>	38mm max. lens dia., 44mm lens length <small>Fig. 3</small>

Fig. 1 - Lens cover for up to 30mm lens

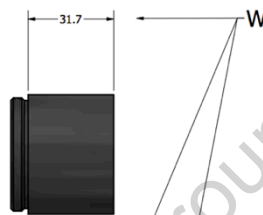


Fig. 2 - Lens cover for up to 36mm lens



Fig. 3 - Lens cover for up to 44mm lens



Optional Light Bracket for CEI round 29mm IP67 Enclosure

Part Number	Description
<b>EN-LB29R-A</b>	Small light bracket (120.7mm x 85.8mm) mounting surface
<b>EN-LB29R-B</b>	Large light bracket (152.1mm x 133.4mm) mounting surface

