

# 3.2M CMOS CameraLink 57.1fps Global Shutter

**NEW**

## Sony 3.2M CMOS

# STC-SPC312PCL 【Color】 STC-SPB312PCL 【Mono】

CMOS 3.2M model has added to Camera Link series.  
SSony Pregius Sensor provides high quality images.  
This camera is capable of capturing moving objects without any issue  
due to the camera has Global shutter sensor.  
Supported PoCL type, external power supply is unnecessary.

**Pregius**※ **Pregius** is trademark of Sony Corporation.

### 概要

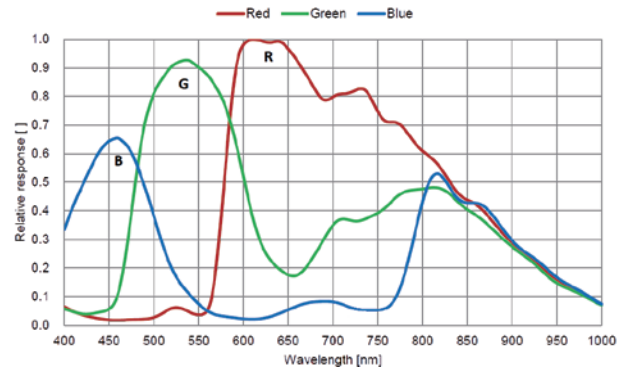
- 2048(H) x 1536(V)
- 3.45  $\mu\text{m}$  x 3.45  $\mu\text{m}$
- 57.1 fps
- 1/1.8" Sensor
- Lens Mount : C Mount
- Global Shutter
- Supported PoCL
- 35 x 35 x 40.7 mm (excluding connectors)

## Specifications

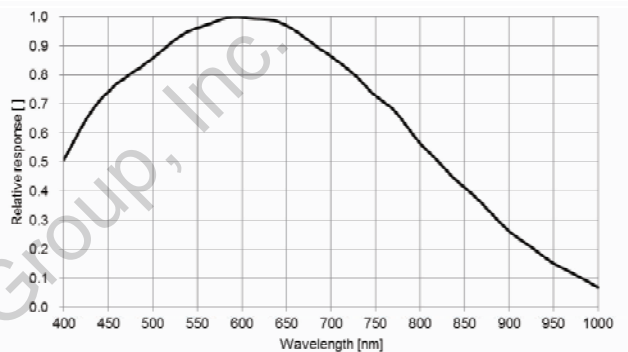
Model Numbers	: STC-SPC312PCL (Color) STC-SPB312PCL (Monochrome)
Image Sensor	: 1/1.8" 3.19M Progressive CMOS (SONY IMX265)
Shutter Type	: Global Shutter
Effective Pixels	: 2048 (H) x 1536 (V)
Cell Size	: 3.45 (H) x 3.45 (V) $\mu\text{m}$
Sync System	: Free run, External trigger
Maximum Frame Rate	: 57.1 fps (8bit, 3Tap, 66MHz) 53.8 fps (10bit, 2Tap, 85MHz) 53.8 fps (12bit, 2Tap, 85MHz)
Video Format	: 8 bit / 10bit / 12bit output
Noise Level	: Less than TBD LSBs (Gain 0 db, 8bit) Less than TBD LSBs (Gain 0 db, 10bit) Less than TBD LSBs (Gain 0 db, 12bit)
Sensitivity	: TBD Lux (Color), TBD Lux (Monochrome)
Exposure time	: TBD $\mu\text{seconds}$ to TBD seconds (8bit) TBD $\mu\text{seconds}$ to TBD seconds (10bit) TBD $\mu\text{seconds}$ to TBD seconds (12bit)
Analog Gain	: 0 dB to 20.8 dB
Digital Gain	: 0 dB to 6 dB
Black Level	: 0 to 31 (8bit), 0 to 127 (10bit) 0 to 511 (12bit)
White Balance Gain	: -40 db to 12 dB (Color Model Only)
ROI (AOI)	: Horizontal 260 to 2048 / Vertical 4 to 1536 [Adjustable Steps for size] Horizontal 4 / Vertical 4 [Adjustable Steps for offset] Horizontal 4 / Vertical 4
Gamma	: 0.1 to 4.0
Binning	: N/A
Decimation	: N/A
Image Flip	: Horizontal / Vertical / Horizontal and Vertical / Off
Pixel Defect Correction	: Up to 64 points
Operational Mode	: Free run / Edge preset Trigger / Pulse width Trigger
Interface	: CameraLink Base
Communication	: RS232 via Camera Link connector
Power Input Voltage	: DC12V $\pm$ 10% (Power/IO connector), Supported PoCL
Consumption	: Less than TBD W
Dimensions	: 35 (W) x 35 (H) x 40.7 (D) mm (excluding connector)
Optical Filter	: No IR Cut Filter
Lens mount	: C mount
Camera Link connector	: SDR x 1
Power/IO connector	: HR10A-7R-6PB (Hirose) or equivalent
Camera Mounting	: Two 1/4" tripod screw holes (One on each top and bottom plate). Sixteen M4 screw holes (Four on each top, bottom and side plate).
Weight	: Approx. TBD g
Compliance	: RoHS Compliant

## Spectral Sensivity

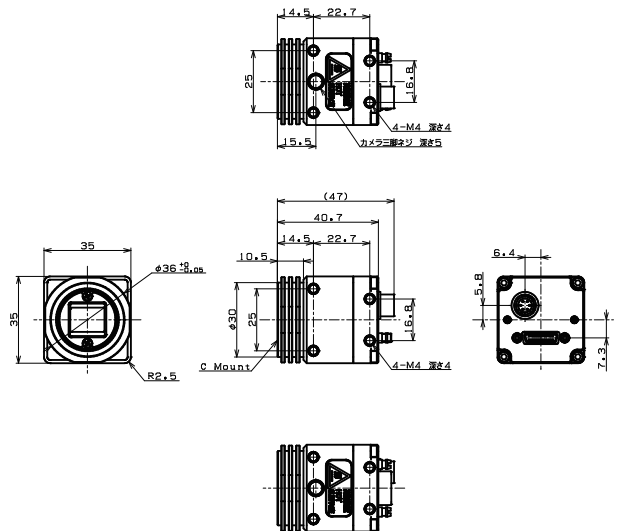
STC-SPC312PCL



STC-SPB312PCL



## Dimensions



## Distributor

2016.1

※Specifications are subject to change without notice.

Development and manufacture

センテック株式会社

**SENTECH**

For more information please contact Aegis Electronic Group, Inc. \*(888)687-6877 \*aegis-g2@aegiselect.com \*http://www.aegiselect.com