

NEW

# 5M CMOS CameraLink 163.4fps Global Shutter

## Sony 5M High-Speed CMOS

# STC-SPC510PCL

 【Color】

# STC-SPB510PCL

 【Mono】

High-Speed CMOS 5M model has added to Camera Link series.  
Sony Pregius Sensor provides high quality images.  
This camera is capable of capturing moving objects without any issue  
due to the camera has Global shutter sensor.  
Supported PoCL type, external power supply is unnecessary.

**Pregius**※ **Pregius** is trademark of Sony Corporation.

### 概要

- 2448(H) x 2048(V)
- 3.45  $\mu\text{m}$  x 3.45  $\mu\text{m}$
- 163.4 fps
- 2/3" Sensor
- Lens Mount : C Mount
- Global Shutter
- Supported PoCL
- 35 x 35 x 40.7 mm (excluding connectors)

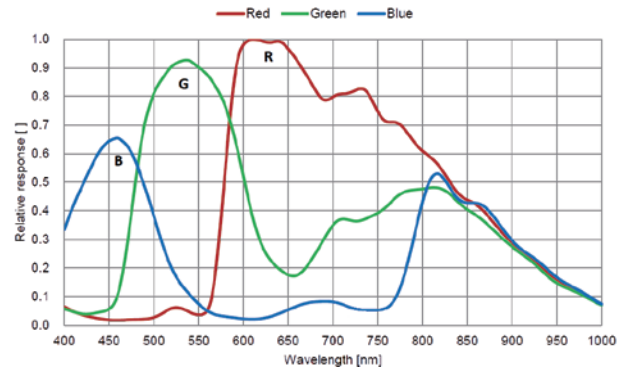
## センテック株式会社

## Specifications

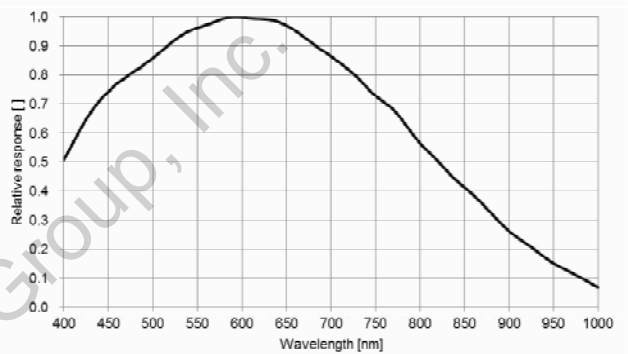
Model Numbers	: STC-SPC510PCL (Color) STC-SPB510PCL (Monochrome)
Image Sensor	: 2/3" 5.07M Progressive CMOS (SONY IMX250)
Shutter Type	: Global Shutter
Effective Pixels	: 2448 (H) x 2048 (V)
Cell Size	: 3.45 (H) x 3.45 (V) $\mu\text{m}$
Sync System	: Free run, External trigger
Maximum Frame Rate	: 163.4 fps (8bit, 10Tap, 85MHz) 66 fps (10bit, 4Tap, 85MHz) 66 fps (12bit, 4Tap, 85MHz)
Video Format	: 8 bit / 10bit / 12bit output
Noise Level	: Less than TBD LSBs (Gain 0 db, 8bit) Less than TBD LSBs (Gain 0 db, 10bit) Less than TBD LSBs (Gain 0 db, 12bit)
Sensitivity	: TBD Lux (Color), TBD Lux (Monochrome)
Exposure time	: 20.1 $\mu\text{s}$ seconds to 16.777seconds (8bit) 26.5 $\mu\text{s}$ seconds to 16.777seconds (10bit) 26.5 $\mu\text{s}$ seconds to 16.777seconds (12bit)
Analog Gain	: 0 dB to 20.8 dB
Digital Gain	: 0 dB to 6 dB
Black Level	: 0 to 31 (8bit), 0 to 127 (10bit) 0 to 511 (12bit)
White Balance Gain	: -40 db to 12 dB (Color Model Only)
ROI (AOI)	: Horizontal 260 to 2448 / Vertical 4 to 2048 [Adjustable Steps for size] Horizontal 4 / Vertical 4 [Adjustable Steps for offset] Horizontal 4 / Vertical 4
Gamma	: 0.1 to 4.0
Binning	: Individual x2 Horizontal, Vertical binning (Monochrome Model Only, Horizontal:Average, Vertical:Addition)
Decimation	: Individual x2 Horizontal, Vertical Decimation
Image Flip	: Horizontal / Vertical / Horizontal and Vertical / Off
Pixel Defect Correction	: Up to 64 points
Operational Mode	: Free run / Edge preset Trigger / Pulse width Trigger
Interface	: CameraLink Base / Medium / Full / 10Tap
Communication	: RS232 via Camera Link connector
Power Input Voltage	: DC12V $\pm$ 10% (Power/IO connector), Supported PoCL
Consumption	: Less than TBD W
Dimensions	: 35 (W) x 35 (H) x 40.7 (D) mm (excluding connector)
Optical Filter	: No IR Cut Filter
Lens mount	: C mount
Camera Link connector	: SDR x 2
Power/IO connector	: HR10A-7R-6PB (Hirose) or equivalent
Camera Mounting	: Two 1/4" tripod screw holes (One on each top and bottom plate). Fourteen M4 screw holes (Four on each top and bottom plate, Three on each side plate).
Weight	: Approx. TBD g
Compliance	: RoHS Compliant

## Spectral Sensivity

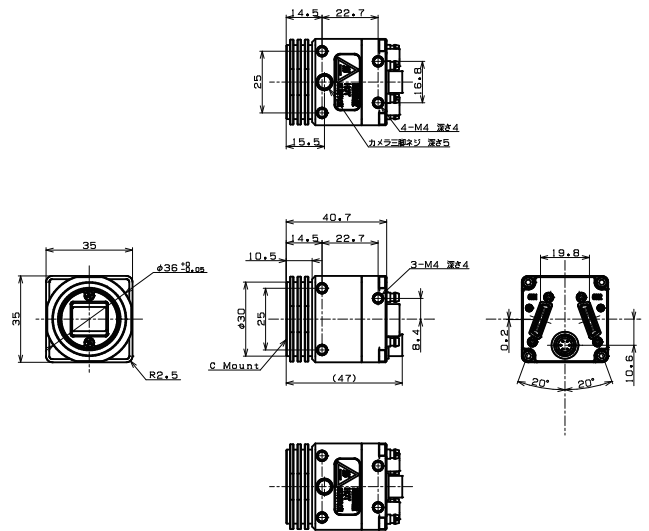
STC-SPC510PCL



STC-SPB510PCL



## Dimensions



## Distributor

2016.1

※Specifications are subject to change without notice.

Development and manufacture

センテック株式会社

**SENTECH**

For more information please contact Aegis Electronic Group, Inc. \*(888)687-6877 \*aegis-g2@aegiselect.com \*http://www.aegiselect.com