



**For FA/Machine Vision  
Fixed Focal**

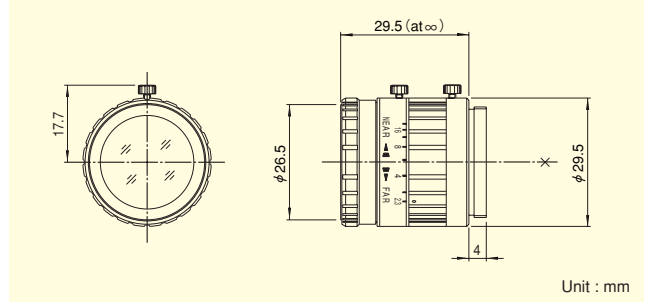
# HF50HA-1B

1	2/3	1/2	1/3	1/4
---	-----	-----	-----	-----

- FIXED**  
Fixed Focal
- TELE**  
Telephoto Long Focal
- 1.5 Mega**  
For Megapixel Camera
- MANUAL**  
Manual Iris
- C-mt**  
C Mount
- METAL**  
Metal Mount



- High-resolution design, providing support for up to 1.5 megapixel camera resolution.
- Low-distortion design achieving accurate image input.
- Compact, lightweight and robust design, supporting various systems.
- Focus & iris lock tab provided, supporting environments such as vibration.



Focal Length (mm)		50
Iris Range		F2.3 ~ F22
Operation	Focus	Manual
	Iris	Manual
Angle Of View (H×V)	2/3"	10°03' × 7°33'
	1/2"	7°19' × 5°30'
	1/3"	5°30' × 4°07'
Focusing Range (From Front Of The Lens) (m)		∞ ~ 0.5
Object Dimensions at M.O.D. (H×V) (mm)	2/3"	77 × 57
	1/2"	56 × 42
	1/3"	42 × 31
Back Focal Distance (in air) (mm)		15.26
Exit Pupil Position (From Image Plane) (mm)		-25.1
Filter Thread (mm)		M25.5 × 0.5
Mount		C
Mass (g)		45

- Remarks**
- With Metal Mount
  - With Locking Knob for Iris and Focus

FIXED FOCAL LENGTH LENSES



**For FA/Machine Vision  
Fixed Focal**

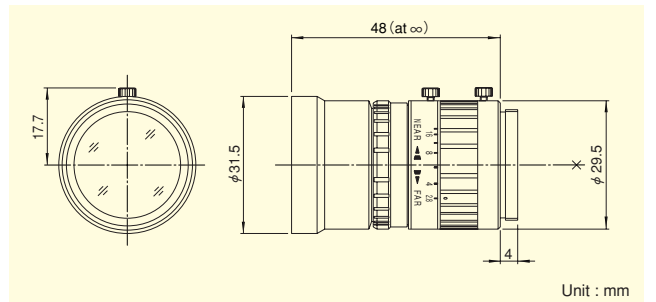
# HF75HA-1B

1	2/3	1/2	1/3	1/4
---	-----	-----	-----	-----

- FIXED**  
Fixed Focal
- TELE**  
Telephoto Long Focal
- 1.5 Mega**  
For Megapixel Camera
- MANUAL**  
Manual Iris
- C-mt**  
C Mount
- METAL**  
Metal Mount



- High-resolution design, providing support for up to 1.5 megapixel camera resolution.
- Low-distortion design achieving accurate image input.
- Compact, lightweight and robust design, supporting various systems.
- Focus & iris lock tab provided, supporting environments such as vibration.



Focal Length (mm)		75
Iris Range		F2.8 ~ F22
Operation	Focus	Manual
	Iris	Manual
Angle Of View (H×V)	2/3"	6°43' × 5°02'
	1/2"	4°53' × 3°40'
	1/3"	3°40' × 2°45'
Focusing Range (From Front Of The Lens) (m)		∞ ~ 1.1
Object Dimensions at M.O.D. (H×V) (mm)	2/3"	114 × 85
	1/2"	83 × 62
	1/3"	62 × 47
Back Focal Distance (in air) (mm)		15.74
Exit Pupil Position (From Image Plane) (mm)		-26.6
Filter Thread (mm)		M30.5 × 0.5
Mount		C
Mass (g)		55

- Remarks**
- With Metal Mount
  - With Locking Knob for Iris and Focus