

# T34Z5518AMSR

**34X 5.5mm - 187mm F1.8**  
**for 1/3 type Cameras, Motorized Zoom**  
**CS-Mount**

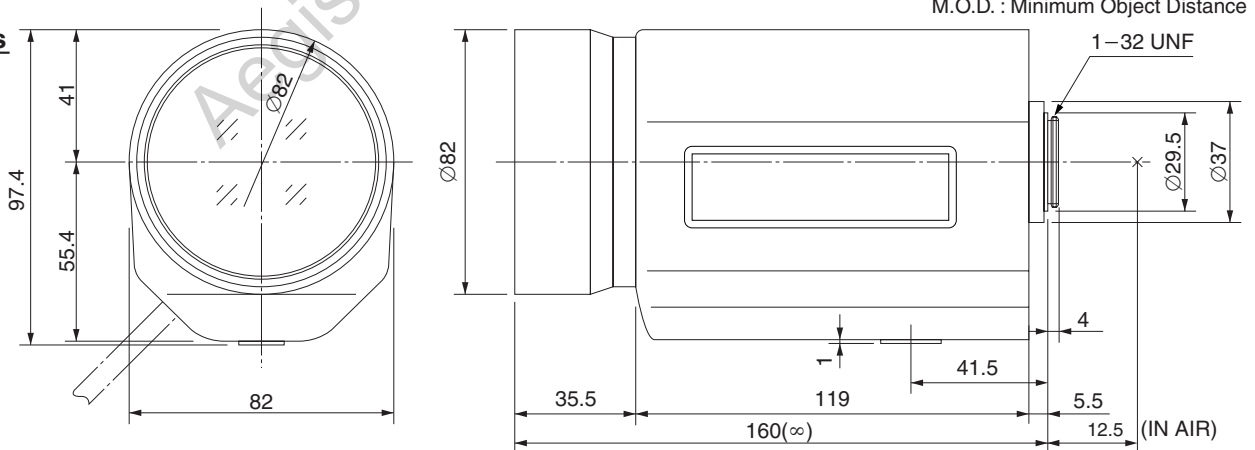
With Video Auto Iris and Over-ride Manual

Model No.	T34Z5518AMSR-CS		Effective	Front	Ø70.0mm	
Focal Length	5.5mm - 187mm		Lens Aperture	Rear	Ø9.1mm	
Max. Aperture Ratio	1:1.8		Back Focal Length	12.7mm		
Max. Image Format	4.8mm x 3.6mm(Ø6mm)		Flange Back Length	12.5mm		
Operation Range	Iris	F1.8 - F560C	Mount	CS-Mount		
	Focus	1.5m - Inf.	Filter Size	M77 P=0.75mm		
	Zoom	5.5mm - 187mm	Tripod Screw	1/4 - 20UNC		
Control	Iris	Video Auto Iris / Over-ride Manual	Dimensions	W82mm x H97.4mm x D160mm		
	Focus	Motorized	Weight	1150g		
	Zoom	Motorized				
Object Dimension at M.O.D.	5.5mm	129.2cm x 95.2cm				
	187mm	4.1cm x 3.1cm				
Angle of View	D	1/3 type	57.5° - 1.92°	1/4 type	43.8° - 1.45°	
	H		46.6° - 1.55°		35.2° - 1.17°	
	V		35.2° - 1.17°		26.5° - 0.88°	
		Iris	Focus	Zoom		
Supply Voltage	DC8.5V -DC16V		DC8V	DC8V		
Current	50mA or less		40mA or less	25mA or less		
Response Time	Approx. 2 sec.		Approx. 3.5 sec.	Approx. 3.5 sec.		
Preset Potentiometer	—			—		
Light Weighting Method	Adjustable between Average - Peak (to be Set at Average at Factory)					
Remote Control	Level Remote (Option) / Over-ride Manual					
Input Signal	Video Signal (V. or V.S.)					
Iris Accuracy	±15% at Video Signal Level					
Sensitivity Adjustment	0.5V(p-p) - 1.0V(p-p) (Video Signal)					
Input Impedance	High Impedance					
Operating Temperature	-10°C - +50°C					

1/3 type

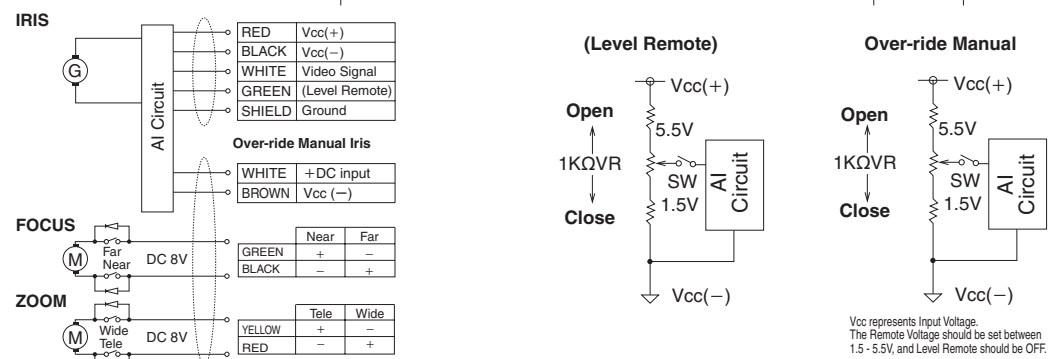
CS

## Dimensions



M.O.D. : Minimum Object Distance

## Wiring Diagram



Vcc represents Input Voltage.  
 The Remote Voltage should be set between 1.5 - 5.5V, and Level Remote should be OFF.