

H10Z1218PDC

10X 12~120mm F1.8
for 1/2" format cameras
C-Mount

With Preset

| | | | | | |
|----------------------------|---------------------|-------------------------------|--------------------|------------------------|----------|
| Model No. | H10Z1218PDC | | Effective | Front | φ 54.0mm |
| Focal Length | 12~120mm | | Lens Aperture | Rear | φ 9.2mm |
| Max. Aperture Ratio | 1 : 1.8 | | Back Focal Length | 14.4 mm | |
| Max. Image Format | 6.4 x 4.8mm (φ 8mm) | | Flange Back Length | 17.526 mm | |
| Operation Range | Iris | F1.8 ~ 560 | Mount | C-Mount | |
| | Focus | 1.5m ~ Inf. | Filter Size | M62 P=0.75 mm | |
| | Zoom | 12~120mm | Tripod Screw | 1/4"-20UNC | |
| Control | Iris | DC Auto Iris(by galvanometer) | Dimensions | W70 x H79.5 x D123.5mm | |
| | Focus | Motorized, Preset | Weight | 670g | |
| | Zoom | Motorized, Preset | | | |
| Object Dimension at M.O.D. | 12mm | 78.7 x 58.9cm | | | |
| | 120mm | 8.1 x 6.0cm | | | |
| Angle of View | D | 36.4~3.8° | 1/3" | 27.6~2.9° | |
| | H | 29.4~3.1° | | 22.2~2.3° | |
| | V | 22.2~2.3° | | 16.7~1.8° | |
| Control | Focus | | Zoom | | |
| Supply Voltage | DC8V | | DC8V | | |
| Current | 45mA or less | | 50mA or less | | |
| Response Time | Approx. 5.5 sec. | | Approx. 5.5 sec. | | |
| Preset Potentiometer | 5KΩ VR | | 5KΩ VR | | |
| Iris | Drive Coil | 190Ω | | | |
| (DC Auto Iris) | Control Coil | 1000Ω | | | |
| Operating Temperature | -10°C ~ +50°C | | | | |

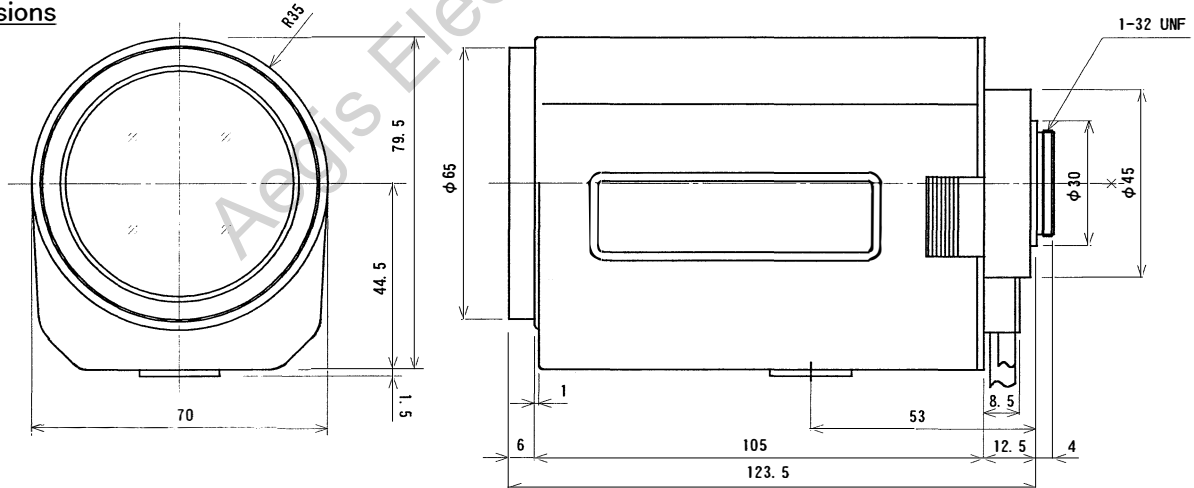
1/2

C

ZA

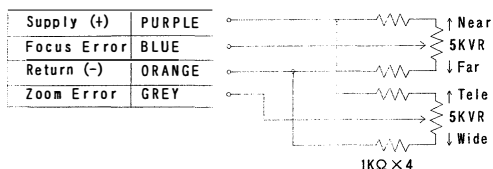
M.O.D. : Minimum Object Distance

Dimensions



Wiring Diagram

PRESET POTENTIOMETER



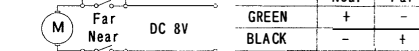
IRIS



Pin No.

| | | |
|---|--------|-------------|
| 1 | BROWN | Control (-) |
| 2 | RED | Control (+) |
| 3 | YELLOW | Drive (+) |
| 4 | ORANGE | Drive (-) |

FOCUS



ZOOM



Remarks: Connect together with Black (Focus) and Red (Zoom) for common system when necessary.