

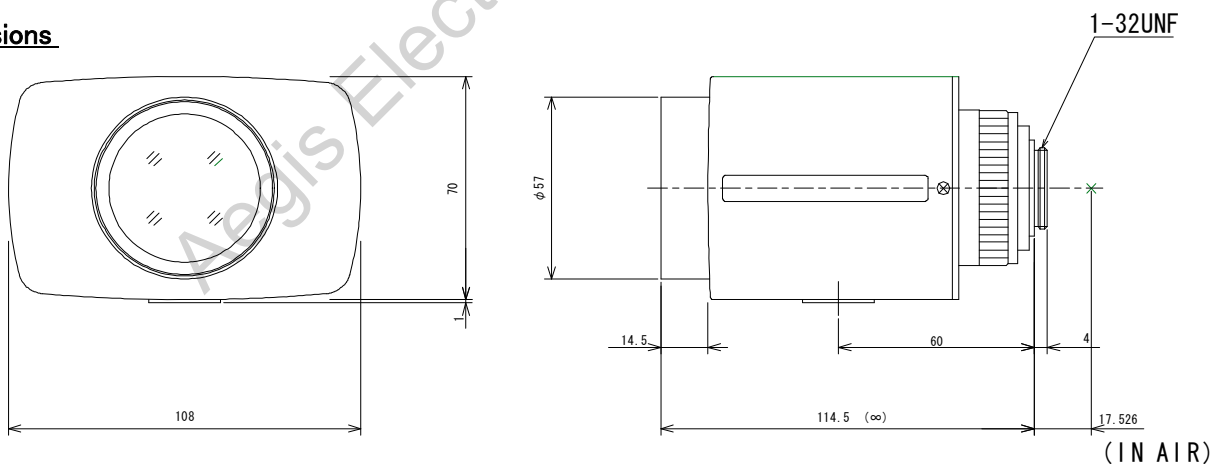
M6Z1212MP3

**6X 12.5mm-75mm F1.2
for 2/3type Cameras, Motorized Zoom
C-Mount**

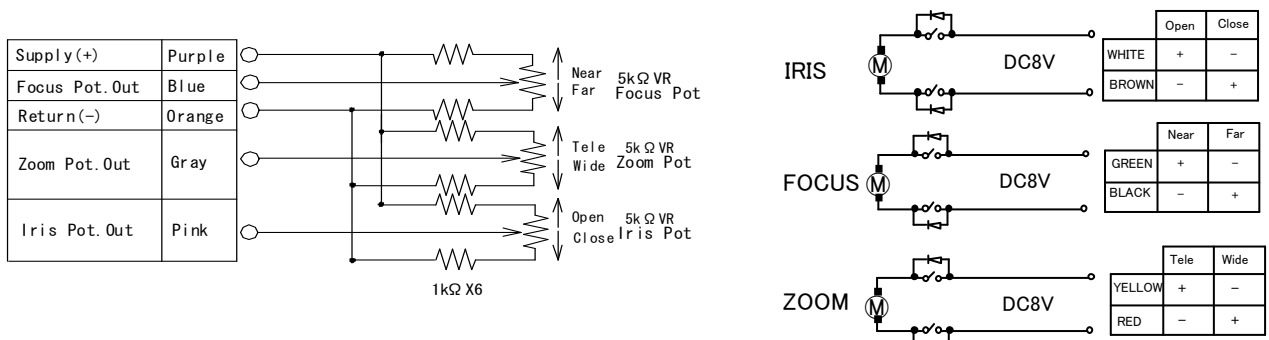
with Preset

| | | | | | | | |
|-----------------------|------------------------|-------------------|--------------------|----------------|------------------------|---------|--------------|
| Model No. | M6Z1212MP3 | | Effective | Front | φ 46.5mm | | |
| Focal Length | 12.5mm - 75mm | | Lens Aperture | Rear | φ 15.6mm | | |
| Max.Aperture Ratio | 1:1.2 | | Back Focal Length | | 15.4mm | | |
| Max.Image Format | 8.8mm x 6.6mm (φ 11mm) | | Flange Back Length | | 17.526mm | | |
| Operation Range | Iris | F1.2 - F16C | | Mount | C-Mount | | |
| | Focus | 1m - Inf. | | Filter Size | M55 P=0.75mm | | |
| | Zoom | 12.5mm - 75mm | | Dimensions | 108mm x 71mm x 114.5mm | | |
| Control | Iris | Motorized, Preset | | Weight | 750g | | |
| | Focus | Motorized, Preset | | | | | |
| | Zoom | Motorized, Preset | | | | | |
| Angle of View | D | 2/3type | 46.9° - 8.3° | 1/2type | 35.0° - 6.2° | 1/3type | 26.5° - 4.7° |
| | H | | 38.3° - 6.7° | | 29.2° - 5.1° | | 21.3° - 3.8° |
| | V | | 29.2° - 5.1° | | 21.3° - 3.8° | | 16.0° - 2.8° |
| | | Iris | | Focus | | Zoom | |
| Supply Voltage | DC8V | | DC8V | DC8V | | | |
| Current | 30mA or less | | 35mA or less | 30mA or less | | | |
| Response Time | Approx. 3 sec. | | Approx. 5 sec. | Approx. 4 sec. | | | |
| Preset Potentiometer | 5K Ω VR | | 5K Ω VR | 5K Ω VR | | | |
| Operating Temperature | -10°C - +50°C | | | | | | |

Dimensions



Wiring Diagram



For more information please contact Aegis Electronic Group, Inc. *(888)687-6877 *aegis-g2@aegiselect.com *http://www.aegiselect.com

Specifications subjected to change without any notice.