

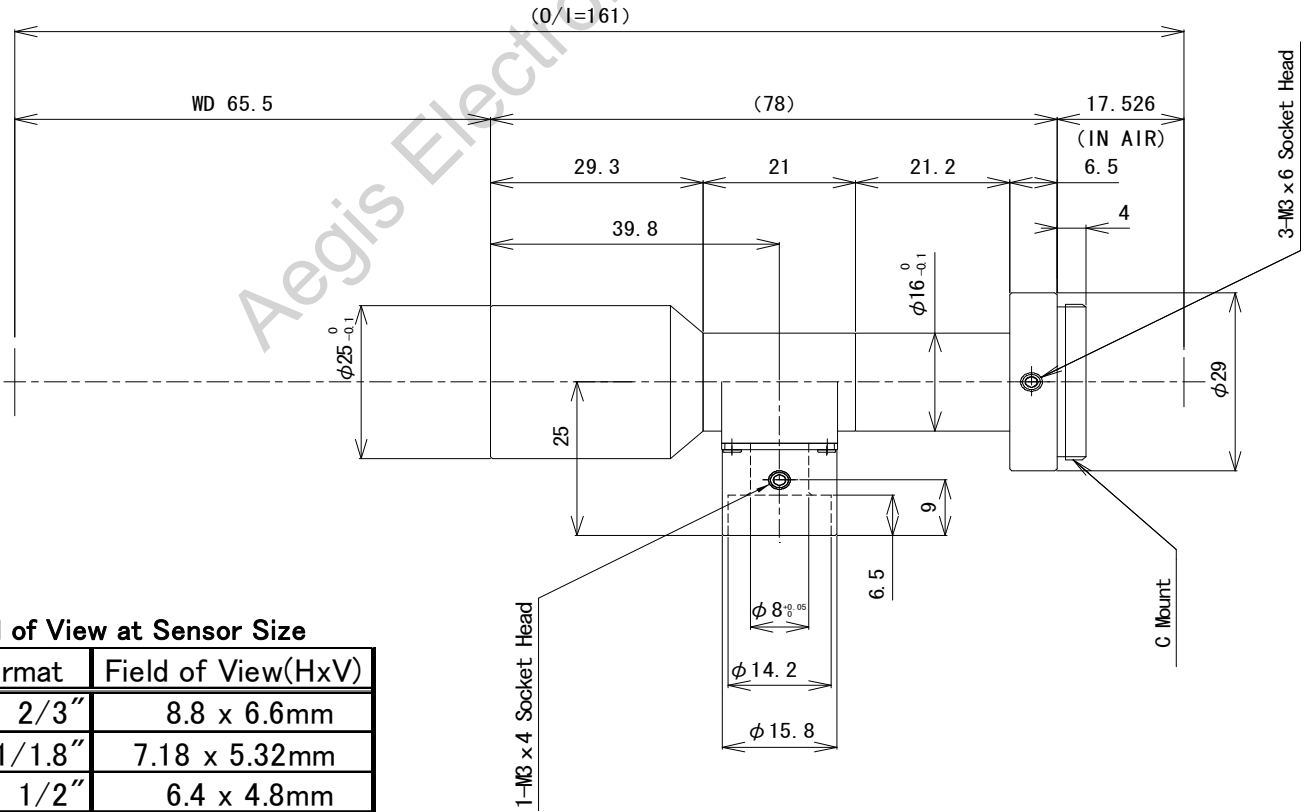
TEC-M1065MPC

Magnification 1.0X, WD65mm
for 2/3 type Cameras, 2 Megapixel Telecentric Lens
C-Mount, with Coaxial type

Model No.	TEC-M1065MPC		NA	0.05
Magnification	1.0X	TV Distortion	2/3 type	-0.022%
Working Distance	65.5mm	Back Focal Length	17.0mm	
Effective F Number	9.8	Flange Back Length	17.526mm	
Max. Image Format	φ 11mm	Mount	C-Mount	
Control	Iris	-	Filter Size	-
	Focus	-		
Field of View	8.8mm(H) x 6.6mm(V) 2/3"		Dimensions	φ 25mm x 78mm
Resolving Power *1	6.7μm	Weight	54g	
Depth of Field *2	0.79mm	Operating Temperature	-10°C - +50°C	

*1:Theoretical resolution calculated with a wavelength of 550nm
 *2:Value calculated with a permissible circle of confusion of 40 μ m

Dimensions



Field of View at Sensor Size

Format	Field of View(HxV)
2/3"	8.8 x 6.6mm
1/1.8"	7.18 x 5.32mm
1/2"	6.4 x 4.8mm
1/3"	4.8 x 3.6mm