

# MLM-3XMP

0.3 □ 1X Macro Zoom Lens  
for 2/3"format cameras  
C-Mount

Macro Zoom Lens

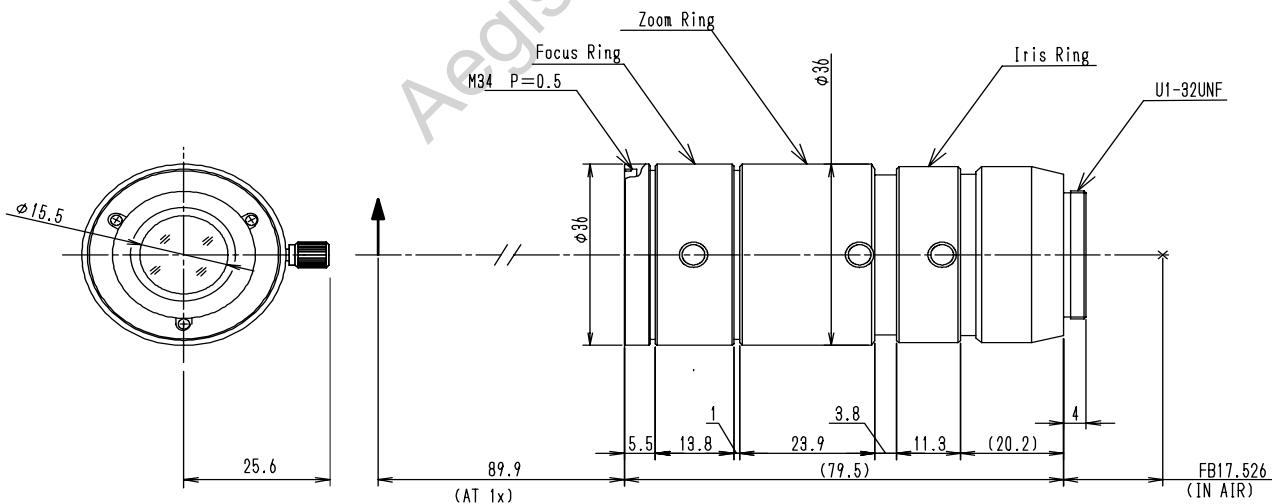
Model No.	MLM-3MP		Effective Lens Aperture	Front	φ 15.5mm
Max. Magnification	0.3 □ 1.0X			Rear	φ 7.0mm
Max. Aperture Ratio	1 : 4.5		Distortion		
Max. Image Format	8.8 x 6.6mm (φ11mm)		+0.02%(0.3X)		
Operation Range	Iris	F4.5 □ C	Back Focal Length		
	Focus	(89.9mm)	20.4 mm		
			Flange Back Length		
Control	Iris	Manual	17.526 mm		
	Focus	Manual	Mount		
	Zoom	Manual	C-Mount		
Object Size	Working Distance	(89.9mm)	36.7□ 10.8(D)	29.4□ 8.7(H)	22.1□ 6.6(V) mm
	2/3" CCD				
Object Size	Working Distance	(89.9mm)	26.7□ 7.9(D)	21.4□ 6.4(H)	16.1□ 4.8(V) mm
	1/2" CCD				
Angle of View	D	14.88□□2.84□	10.70□□2.72□		
	H	2/3" 1.80□□2.78□	1/2" 8.48□□2.18□		
	V	8.74□□2.24□	6.38□□1.64□		
Operating Temperature	-20□C □ +50□C				

2/3

C

\*For CS-mount camera : Please use 5mm adapter ring.

Dimensions



Z

SP

Subject to change without notice

Printed in Japan

Nov. '01