

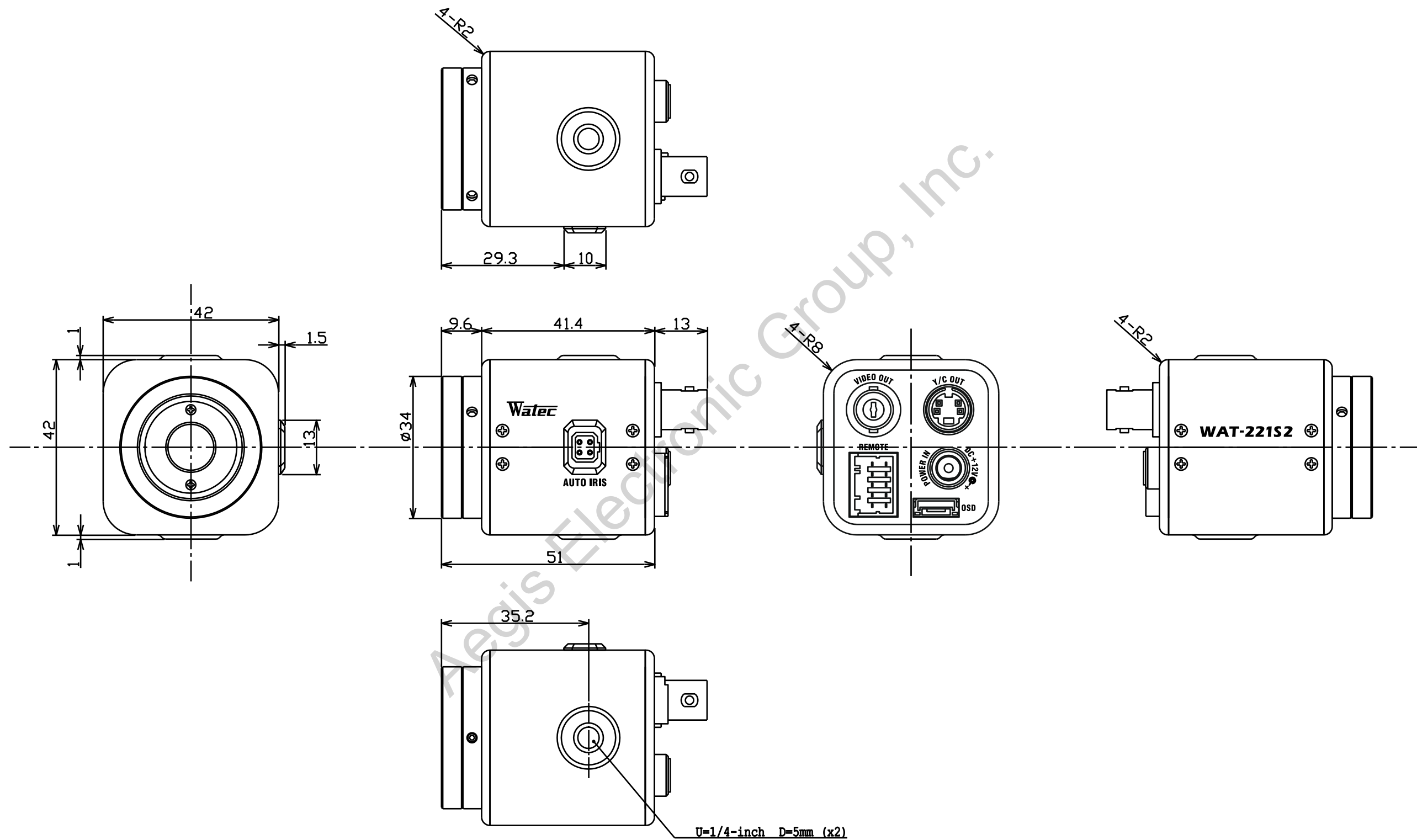
SPECIFICATIONS



Model		WAT-221S2(NTSC)	WAT-221S2(PAL)
Pick-up element		1/2 inch interline transfer CCD image sensor	
Number of total pixels		811(H) × 508(V)	795(H) × 596(V)
Number of effective pixels		768(H) × 494(V)	752(H) × 582(V)
Unit cell size		8.4μm(H) × 9.8μm(V)	8.6μm(H) × 8.3μm(V)
Synchronizing system		Internal	
Scanning system		2:1 interlace	
Video output		Composite, Y/C: 1.0 V(p-p), 75 Ω, unbalanced	
Resolution (H)		More than 550TVL (Center)	
Minimum illumination		0.006 lx F1.2 (AGC=ON, Shutter=OFF, NR=ON, γ=0.45) 0.0004 lx F1.2 (AGC=ON, Shutter=x16, NR=ON, γ=0.45)	
S/N		More than 55dB (AGC=-3dB, γ=1.0)	
Function settings / Serial port		OSD (On Screen Display) / RS-485 (Pelco-D)	
AE mode	Fixed	x2, x4, x8, x16, x32, x64, x128, x256 (field)	
		1/60, 1/100 sec.	1/50, 1/120 sec.
		1/250, 1/500, 1/1000, 1/2000, 1/4000, 1/10000 sec.	
	EI	1/60 - 1/100000 sec.	1/50 - 1/100000 sec.
		x16 - 1/100000 sec.	
AGC		HI: -3~44dB / LO: -3~32dB	
MGC		-3~44dB (1dB step)	
Gamma characteristics		9 steps setting (1.0/0.8/0.7/0.6/0.55/0.5/0.45/0.4/0.35)	
White balance		ATW, PWB, MWB, PRESET (4 types)	
Noise reduction		3DNR ON (Level selectable) / OFF	
Wide dynamic range		WDR(Digital Wide Dynamic Range) ON (Level selectable) / OFF	
Lens iris		Video / DC	
Back light compensation		ON / OFF	
HSBLC(Highlight BLC)		ON (Level selectable) / OFF	
White blemish correction		Up to 64 pixels	
Defog		ON (Level selectable) / OFF	
Digital zoom		x 2 - 256 (ZOOM / PAN / TILT)	
Privacy mask		4masks	
Mirror image		V-FLIP / H-FLIP / HV-FLIP	
Motion detection		ON (Area/Sensitivity/Alarm) / OFF	
Power supply		DC+12V±10%	
Power consumption		1.32W (110mA)	
Operating temperature		-10 - +50°C	
Storage temperature		-30 - +70°C	
Operating / Storage humidity		Less than 95% RH (Without condensation)	
Lens mount		CS mount (Back focus adjustable)	
Weight		Approx. 150g	

※Design and specifications are subject to change without notice.

DIMENSIONS (mm)



For more information please contact Aegis Electronic Group, Inc. *(888)687-6877 *aegis-g2@aegiselect.com *http://www.aegiselect.com