

**T0928KRW**

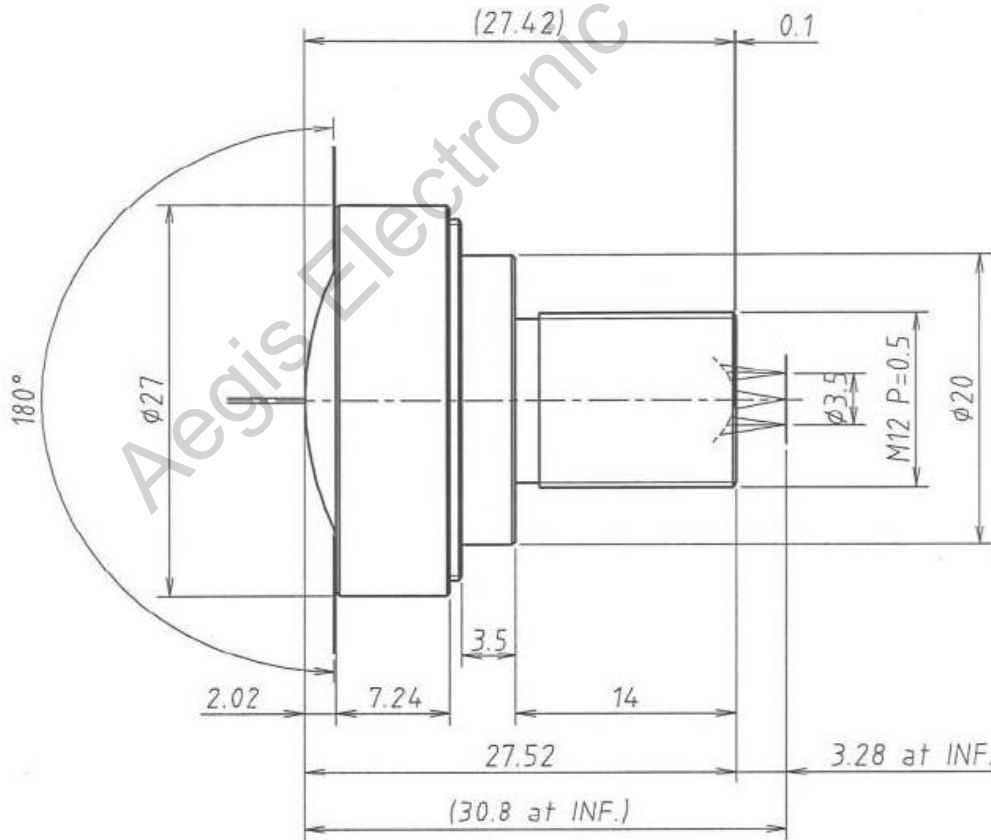
**f = 0.95mm F2.8 Megapixel lens  
for 1/3 type Format Board Cameras, Fisheye, No Iris  
IR corrective**

Model No.	T0928KRW		Effective	Front	φ 19mm	
Focal Length	0.95mm		Lens Aperture	Rear	φ 5.4mm	
Max. Aperture Ratio	1:2.8		Distortion		-96.82%	
Image Size at 180°	φ 3.5		Back Focal Length		3.38mm	
Operation Range	Iris	-		Flange Back Length		-
	Focus	0.05m - Inf.		Mount		M12 P=0.5mm
Object Dimention at M.O.D.	1/2.5 type	-		Dimensions		φ 27mm x 27.52mm
	1/3 type	-		Weight		19g
Coating	MgF2 Single Coat (All Surfaces λ = 546nm)					
Angle of View (Peripheral light amount 50%)	D			1/3 type	-	1/4 type
	H				-	180°
	V				180°	145.2°

**1/3  
inch**

**M12 P=0.5**

**Dimensions**



For more information please contact Aegis Electronic Group, Inc. \*(888)687-6877 \*aegis-g2@aegiselect.com \*http://aegiselect.com

ImmerVision Enables Compatible.

Specification is subject to change without any notice.

04/02/2016