

L1028KDRW

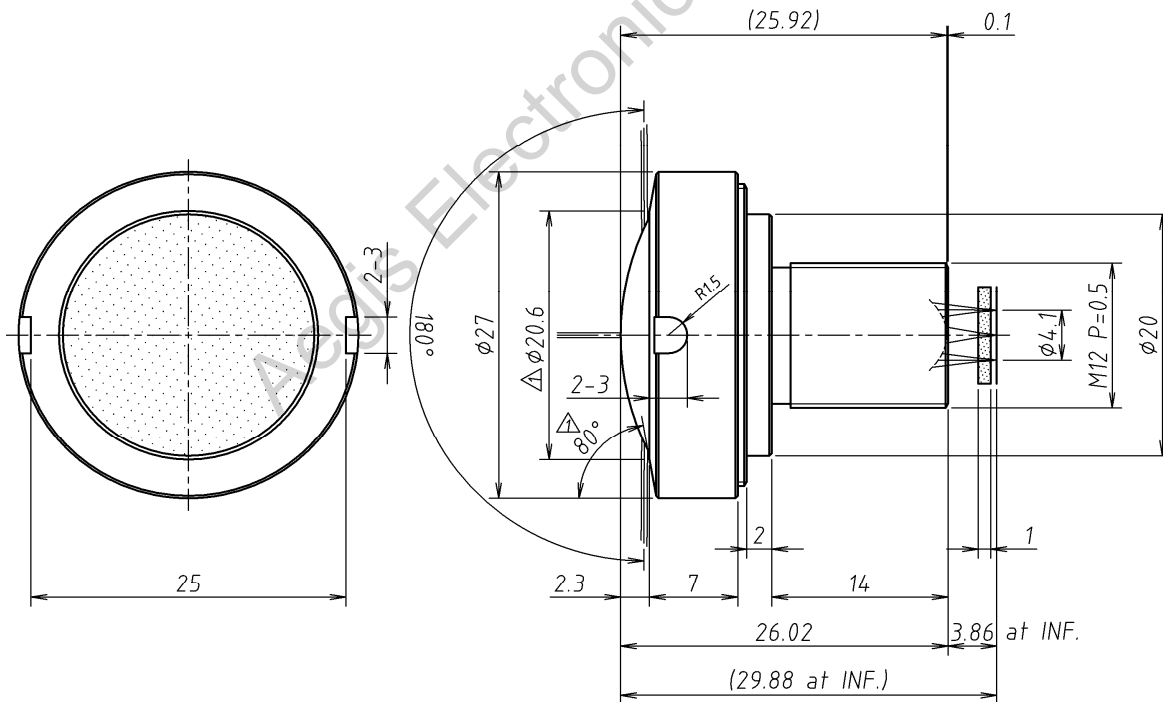
f = 1.05mm F2.8 Megapixel lens
 for 1/2.5 type Format Board Cameras, Fisheye, No Iris, IP66(L1)
 IR corrective

1/2.5
inch

Model No.	L1028KDRW		Effective	Front	φ 20mm	
Focal Length	1.05mm		Lens Aperture	Rear	φ 5.4mm	
Max. Aperture Ratio	1:2.8		Distortion		-96.66%	
Image Size at 180°	φ 4.1		Back Focal Length		3.62mm	
Operation Range	Iris	-		Flange Back Length		-
	Focus	0.05m - Inf.		Mount		M12 P=0.5mm
Object Dimention at M.O.D.	1/2.5 type	-		Dimensions		φ 27mm x 26.02mm
	1/3 type	-		Weight		17.3g
Coating	MgF2 Single Coat (All Surfaces λ = 510nm)					
Angle of View (Peripheral light amount 50%)	D	1/2.5 type	-	1/3 type	-	1/4 type
	H	Fisheye	-	-	180.0°	180.0°
	V	-	180.0°	-	163.2°	163.2°
						130.2°

M12 P=0.5

Dimensions



For more information please contact Aegis Electronic Group, Inc. *(888)687-6877 *aegis-g2@aegiselect.com *http://www.aegiselect.com

ImmerVision Enables Compatible.

Specification is subject to change without any notice.

01/07/2014