

# E1628KRY

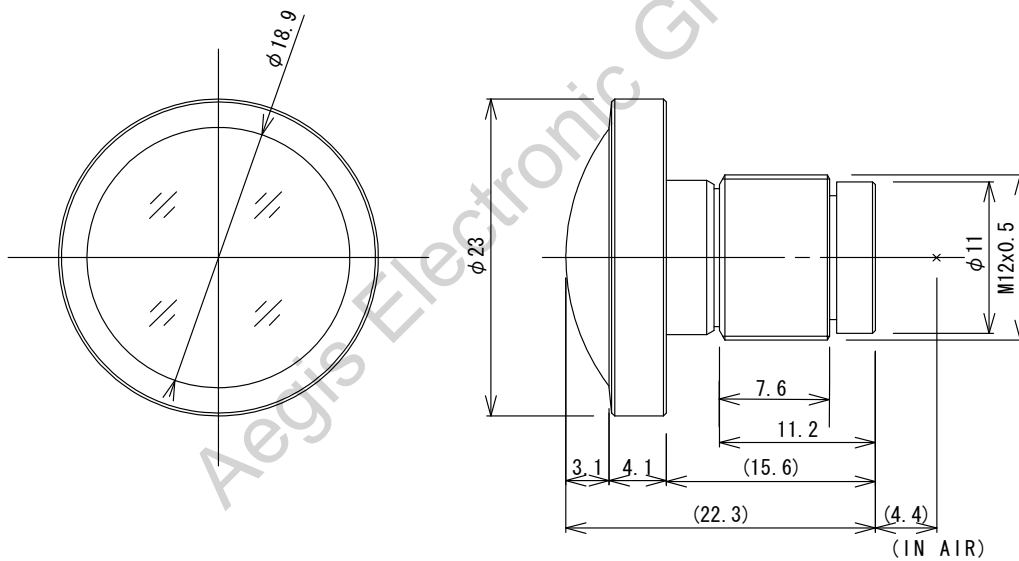
f=1.65mm F2.8 Megapixel lens

for 1/1.7 type Format Board Cameras, Fisheye, No Iris

IR corrective

<b>Model No.</b>		E1628KRY		<b>Effective</b>	<b>Front</b>	$\phi$ 18.4mm	
<b>Focal Length</b>		1.65mm		<b>Lens Aperture</b>	<b>Rear</b>	$\phi$ 5.7mm	
<b>Max. Aperture Ratio</b>		1 : 2.8		<b>Back Focal Length</b>		4.58mm	
<b>Image Size at 190°</b>		$\phi$ 5.38mm		<b>Flange Back Length</b>		-	
<b>Mount</b>		M12 P=0.5mm		<b>Dimensions</b>		$\phi$ 23mm x 22.3mm	
				<b>Weight</b>		10.8g	
<b>Angle of View</b>	<b>D</b>	1/1.7 type	-	1/3 type	-	1/4 type	157.3°
	<b>H</b>	Fisheye	-		168.2°		125.5°
	<b>V</b>		190.0°		111.6°		94.2°

Dimensions



For more information please contact Aegis Electronic Group, Inc. \*(888) 687-6877 \*aegis-g2@aegiselect.com  
 \*http://www.aegiselect.com