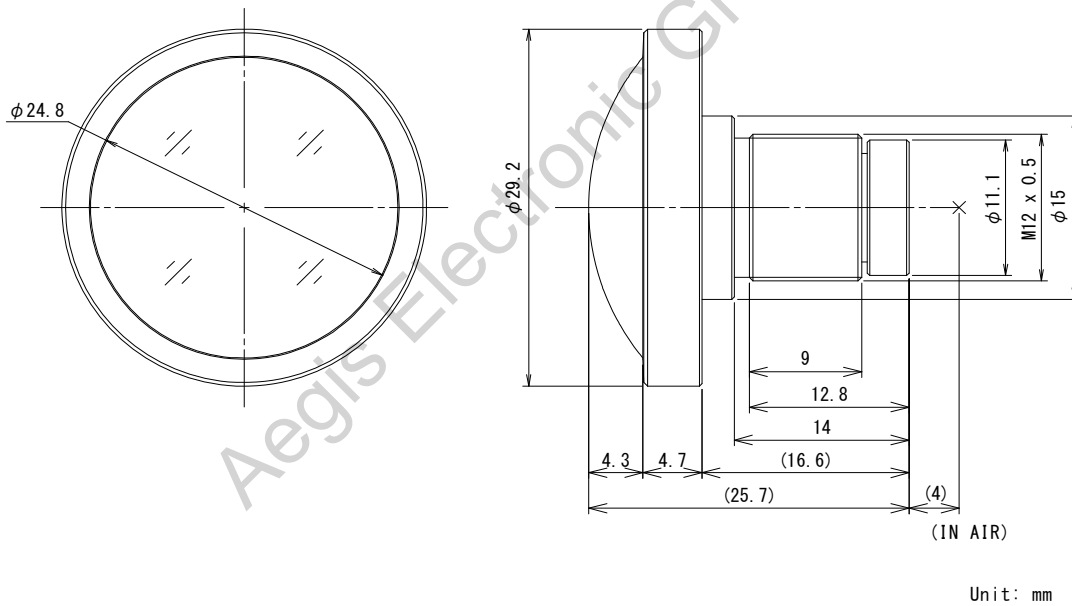


E1222KRY

f=1.2mm F2.2 Megapixel lens
 for 1/1.7 type Format Board Cameras, Fisheye, No Iris
 IR corrective

Model No.		E1222KRY		Effective	Front	φ 24.4mm	
Focal Length		1.2mm		Lens Aperture	Rear	φ 5.6mm	
Max. Aperture Ratio		1 : 2.2		Back Focal Length		4.2mm	
Image Size at 185°		φ 5.38mm		Flange Back Length		-	
Mount		M12 P=0.5mm		Dimensions		φ 29.2mm x 25.7mm	
				Weight		TBD	
Angle of View	D	1/1.7 type	-	1/3 type	-	1/4 type	164.2°
	H	Fisheye	-		171.5°		139.5°
	V		185.0°		139.5°		110.3°
Operating Temperature		-10°C - +50°C					

Dimensions



For more information please contact Aegis Electronic Group, Inc. *(888) 687-6877 *aegis-g2@aegiselect.com
 *http://aegiselect.com

ImmerVision Enables Compatible.

Specification is subject to change without any notice.

2016.11