



**ELECTRONIC GROUP, INC**  
 480-635-8400 p \* aegis-g2@aegiselect.com  
 http://www.aegis-elec.com

## SRMZBTP-24R

### 24" Sunlight Readable Touch Screen Monitor



- Produces Clear, Sharp Images Even in Bright Sunlight
- 1,000 Nits Brightness
- Projected Capacitive Touch Screen
- Zero-Bezel, All Glass Front
- Full HD Resolution: 1920 x 1080
- VGA, HDMI & DisplayPort Video Inputs
- Internal Speakers
- Auto Re-Start After Power Loss
- Lockable On-Screen Display Controls
- 3-Year Warranty

The SRMZBTP-24R Sunlight Readable Touch Screen monitors are designed to operate in direct bright sunlight, or in other high ambient-light conditions. These state-of-the-art monitors produce over 1,000 nits of brightness (vs. 250-300 nits for standard monitors). This results in amazingly bright, crystal-clear HD images, even with direct, bright sunlight on the face of the screen. The SRMZBTP-24R Sunlight Readable Touch Screens feature a Projected Capacitive touch panel; they are ideal for use in a wide range of industrial, law enforcement, aviation, marine, military, inspection, advertising and transportation applications where operation and viewability in direct bright sunlight is crucial.

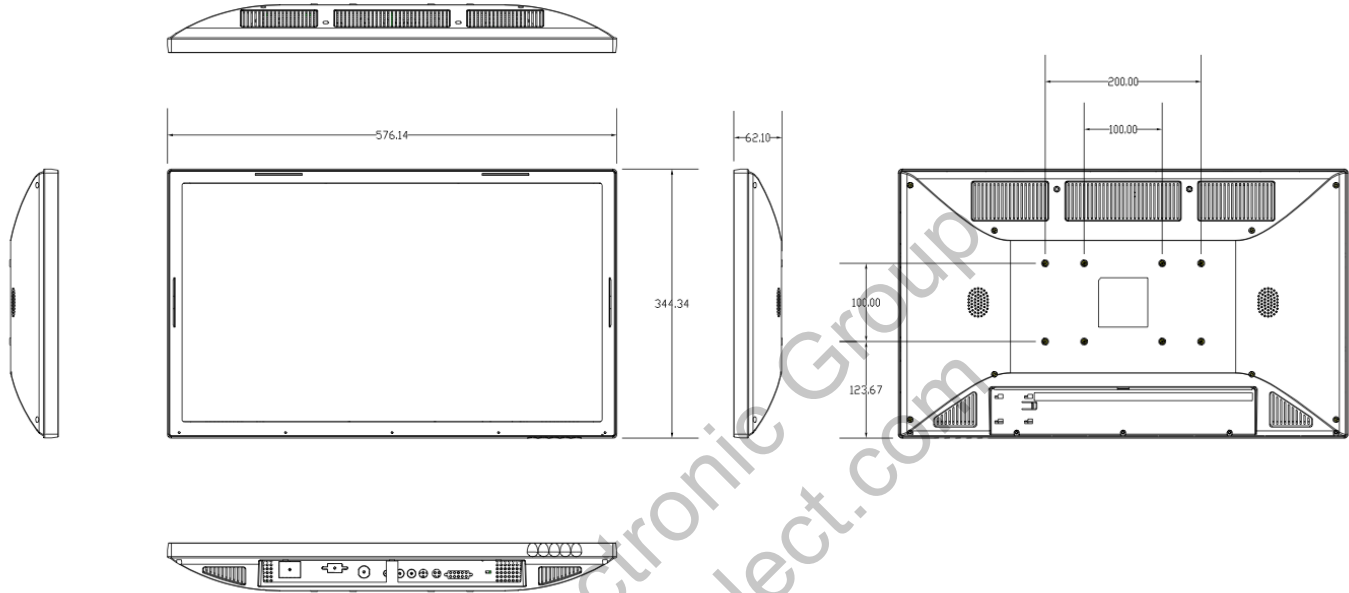
All TRU-Vu industrial LCD monitors are specifically designed for use in demanding applications. Every TRU-Vu monitor utilizes industrial-grade components and high-end LCD panels not found in retail/consumer-grade monitors. This ensures superior image quality, improved performance and greater durability. Our 3-Year Warranty ensures you of reliable worry-free operation. Visit [www.TRU-VuMonitors.com](http://www.TRU-VuMonitors.com) for more details.

Specifications	
<b>MODEL</b>	<b>SRMZBTP-24R</b>
<b>LCD Panel</b>	24" Color LCD; LED Backlights
<b>Touch Screen Type</b>	Projected Capacitive
<b>Touch Interface</b>	USB
<b>Resolution</b>	1920 x 1080 (Full HD)
<b>Viewable Area</b>	20.92" (W) x 11.76" (H) (531.4 x 298.9mm)
<b>Pixel Pitch</b>	0.277mm
<b>Display Colors</b>	16.7 Million
<b>Aspect Ratio</b>	16:9 Widescreen
<b>Brightness</b>	1,000 nits
<b>Contrast Ratio</b>	5,000:1
<b>Viewing Angle</b>	178° (H) x 178° (V)
<b>Response Time</b>	25 msec
<b>Control</b>	OSD (On-Screen Display) Via Front Buttons
<b>Video Inputs</b>	VGA, HDMI, DisplayPort
<b>Audio</b>	Dual Rear Speakers
<b>Power Requirement</b>	12VDC (2.5mm Barrel Plug); 90-240VAC via Included Power Brick
<b>Power Consumption</b>	45 W
<b>Enclosure</b>	ABS: Zero-Bezel Design
<b>Mounting</b>	Included Base or 100 x 100mm/200 x 100mm Rear VESA Mount Holes
<b>Operating Temperature</b>	32° to 122° F (0° to 50° C)
<b>Humidity</b>	5-90% RH
<b>Shock</b>	50 G Half-sine
<b>Vibration</b>	1.5 G RMS 10-200 Hz
<b>Dimensions</b>	22.68" (W) x 13.56" (H) x 2.44" (D) (576.14 x 344.34 x 62.10 mm)
<b>Weight</b>	13.2 lbs. (5.98 kg)
<b>Warranty</b>	3-Years

# SRMZBTP-24R

## 24" Sunlight Readable Touch Screen Monitor

### Dimensions:



### Standard Accessories:

- AC Power Brick
- VGA Cable
- HDMI Cable
- Audio Cable
- USB Cable
- Tabletop Stand

### Available Options:

- Wall Mount Brackets
- Anti-Glare Glass
- Custom Modifications