



ELECTRONIC GROUP, INC
 480-635-8400 p * aegis-g2@aegiselect.com
 http://www.aegis-elec.com



VMMT-19 Series

19" Industrial-Grade Touch Screen Monitor

- 19" 5-Wire Resistive Touch or Capacitive Touch
- HID Compliant; No Additional Drivers Required
- Resolution: 1280 x 1024 (SXGA)
- Auto Re-Start After Power Loss
- Lockable On-Screen Display Controls
- Can Be Customized to Meet Your Needs
- 3-Year Warranty

The VMMTR-19C 19" Touch Screen monitors utilizes 5-wire resistive touch technology; the screen can be activated via a finger, gloved hand, credit card or stylus. The VMMTC-19V utilizes a capacitive touch screen which can only be activated via an exposed human finger or special-purpose stylus. The image quality is exceptionally clear and bright; the contact activation point is extremely accurate; and both feature USB interfaces. An extensive list of OEM options enables you to customize the VMMTR-19C to meet your exact needs. Visit www.TRU-VuMonitors.com for more details.

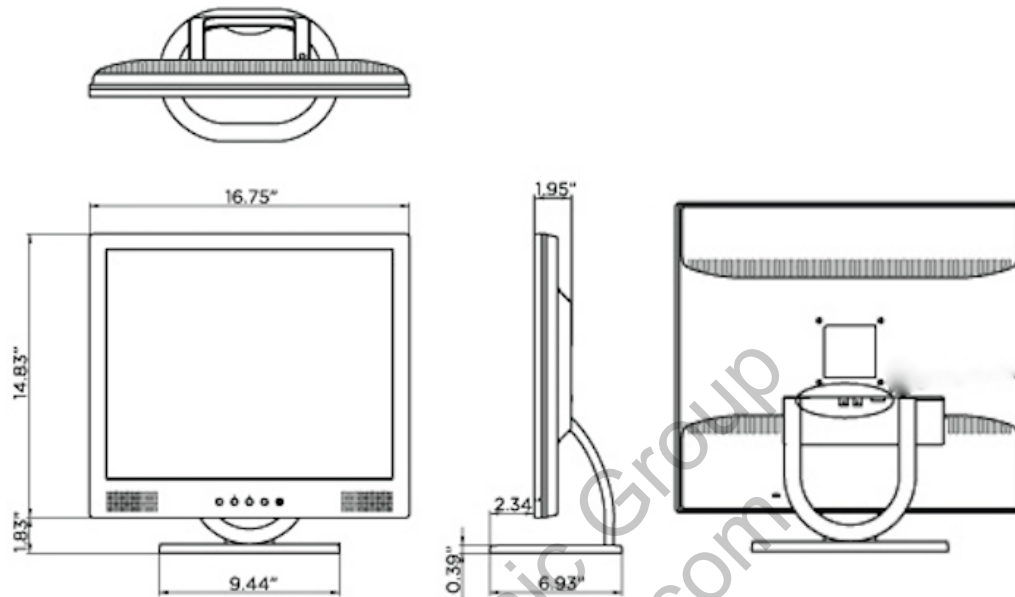
TRU-Vu industrial LCD monitors are specifically designed for use in demanding industrial, commercial, medical and A/V applications. Every TRU-Vu monitor utilizes industrial-grade components and high-end LCD panels not found in retail/consumer-grade monitors. This ensures superior image quality, improved performance and greater durability.

Specifications		
MODEL	VMMTR-19C	VMMTC-19V
LCD Panel	19" TFT Color LCD	
Touch Screen Type	5-Wire Resistive Touch	Capacitive Touch
Touch Screen Interface	USB	
Resolution	1280 x 1024 (SXGA)	
Viewable Area	14.81" (W) x 11.85" (H) (376.17 x 300.98mm)	
Pixel Pitch	0.294 mm x 0.294 mm	
Display Colors	16.7M	
Aspect Ratio	4:3 (5:4)	
	400 nits	
Contrast Ratio	1,000:1	
Viewing Angle	170° (H) x 160° (V)	
Response Time	5 msec (TrF)	
Control	OSD (On-Screen Display) via Front Panel Pushbuttons (may be locked)	
Video Inputs	VGA & DVI-D	VGA
Power Requirement	12 VDC (90-240 VAC with Included Power Brick)	
Power Consumption	28 W	
Enclosure	ABS	
Mounting	Included Base or 75 x 75mm VESA Hole Pattern	
Operating Temperature	32° to 140° F (0° to 60° C)	
Humidity	5-90% RH	
Shock/Vibration	50 G (20 msec, 1/2 sine) / 1.5 G RMS 10-300Hz	
Approvals	UL/cUL, FCC, CE, TUV, RoHS	
Dimensions	16.75" (W) x 14.83" (H) x 1.95" (D) (425.45 x 376.68 x 49.52 mm)	
Weight	11.4 lbs. (5.17 kg)	12.5 lbs. (5.67 kg)

VMMT-19 Series

19" Industrial-Grade Touch Screen Monitors

Dimensions:



Standard Accessories:

- 90-240 VAC Power Brick
- Tabletop Stand
- VGA Cable
- Audio Cable

Available Options:

- Protective/Anti-Reflective Glass
- Optical Bonding
- Panel Mount
- High-Temp Operation (-30° to +85° C)
- Powder-Coated Steel Enclosure
- 110 VAC Operation (no external power brick)
- 11-36 VDC Operation
- Open-Frame Configuration
- Private-Label
- Wall-Mount Bracket
- Bolt-On Rack-Mount Bracket
- Other Customer - Specific Modifications