



ELECTRONIC GROUP, INC
480-635-8400 p * aegis-g2@aegiselect.com
http://www.aegis-elec.com



SRMT-17 Series

17" Sunlight Readable Touch Screen LCD Monitor

- Produces Clear, Sharp Images Even in Direct, Bright Sunlight
- **TRU-Tuff** Ensures Maximum Shock & Vibration Resistance
- 1,000 nits Brightness
- 5-Wire Resistive, Surface Capacitive or S.A.W. Touch Screen
- Lockable OSD (On-Screen Display) Controls
- Auto Re-Start After Power Loss
- 3-Year Warranty

The SRMT-17 Sunlight Readable Touch Screen monitors are designed to operate in direct bright sunlight, or in other high ambient-light conditions. They utilize state-of-the-art LED backlights to produce over 1,000 nits of brightness (vs. 250-300 nits for standard monitors). This results in amazingly bright, crystal-clear images, even with direct, bright sunlight on the face of the screen. SRMT-17 Sunlight Readable Touch Screen monitors will eliminate the need for sun-shields, and squinting or straining to see washed-out images.

All TRU-Vu industrial LCD monitors are specifically designed for use in demanding applications. Every TRU-Vu monitor utilizes industrial-grade components and high-end LCD panels not found in retail/consumer-grade monitors. This ensures superior image quality, improved performance and greater durability. Our 3-Year Warranty ensures you of reliable worry-free operation. Visit www.TRU-VuMonitors.com for more details.

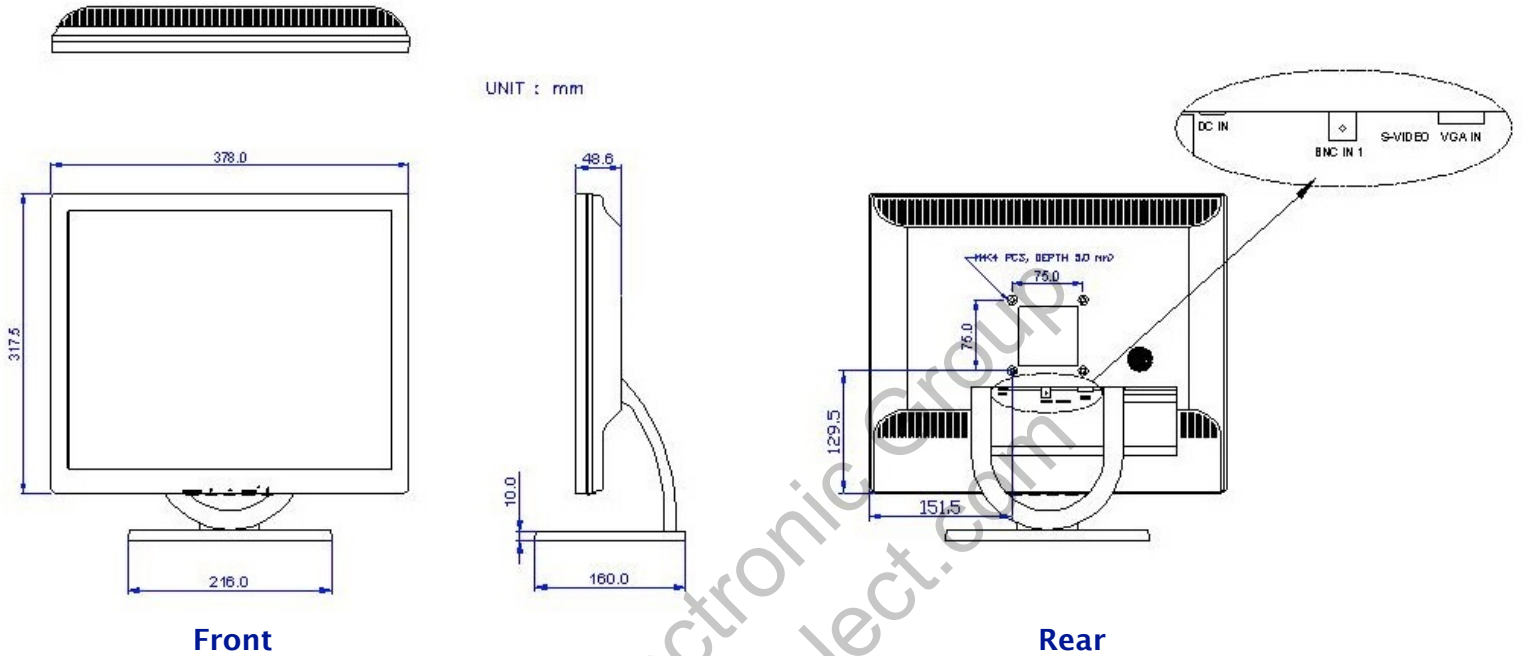
Specifications

MODEL	SRMTC-17V	SRMTR-17C	SRMTS-17C
LCD Panel	17" Color LCD; LED Backlights		
Touch Screen Type	Surface Capacitive	5-Wire Resistive	SAW (Surface Acoustic Wave)
Touch Interface	USB		
Resolution	1280 x 1024 (SXGA)		
Viewable Area	13.3" (W) x 10.64" (H) (337.9 x 270.3 mm)		
Pixel Pitch	0.264mm x 0.264mm		
Display Colors	16.7 Million		
Aspect Ratio	4:3 (5:4)		
Brightness	1,000 nits		
Contrast Ratio	1,000:1		
Viewing Angle	170° (H) x 160° (V)		
Response Time	5 msec (Trf)		
Control	OSD (On-Screen Display) via Front Panel Pushbuttons		
Video Inputs	VGA	VGA & DVI	
Audio	Optional	Dual Rear Speakers	
Power Requirement	12 VDC (2.1 mm Barrel Plug); 90-240 VAC via Included Power Brick		
Power Consumption	48 Watts		
Enclosure	ABS	Powder Coated Steel	
Mounting	75x75mm VESA Rear Hole Pattern (or Included Base)		
Operating Temperature	32° to 122° F (0° to 50° C)		
Humidity	5-90% RH		
Shock	50 G (20 msec, ½ sine)		
Vibration	1.5G RMS 10-200 HZ		
Approvals	UL/cUL, FCC, CE, RoHS		
Dimensions	14.8" (W) x 12.4" (H) x 1.9" (D) (375.92 x 314.96 x 48.26 mm)		
Weight	TBD	8.2 lbs. (3 kg)	TBD
Included Accessories	90-240 VAC Adapter; VGA, DVI and Audio Cables		
Warranty	3-Years		

SRMT-17 Series

17" Sunlight Readable Touch Screen LCD Monitor

Dimensions:



Standard Accessories:

- 90-240 VAC Power Supply
- VGA Cable
- Audio Cable

Available Options:

- Optical Bonding
- Hi-Temp Operation (-30° to +85° C)
- HDMI & DisplayPort Inputs
- Tabletop Base
- Automated Ambient Light Sensor
- Protective/Anti-Glare Glass
- Video Input
- BNC Loop-Thru
- 24 VDC Operation
- MB-RACK17 Rack Mount Bracket
- Touch Screen
- Open-Frame Configuration
- Private Label